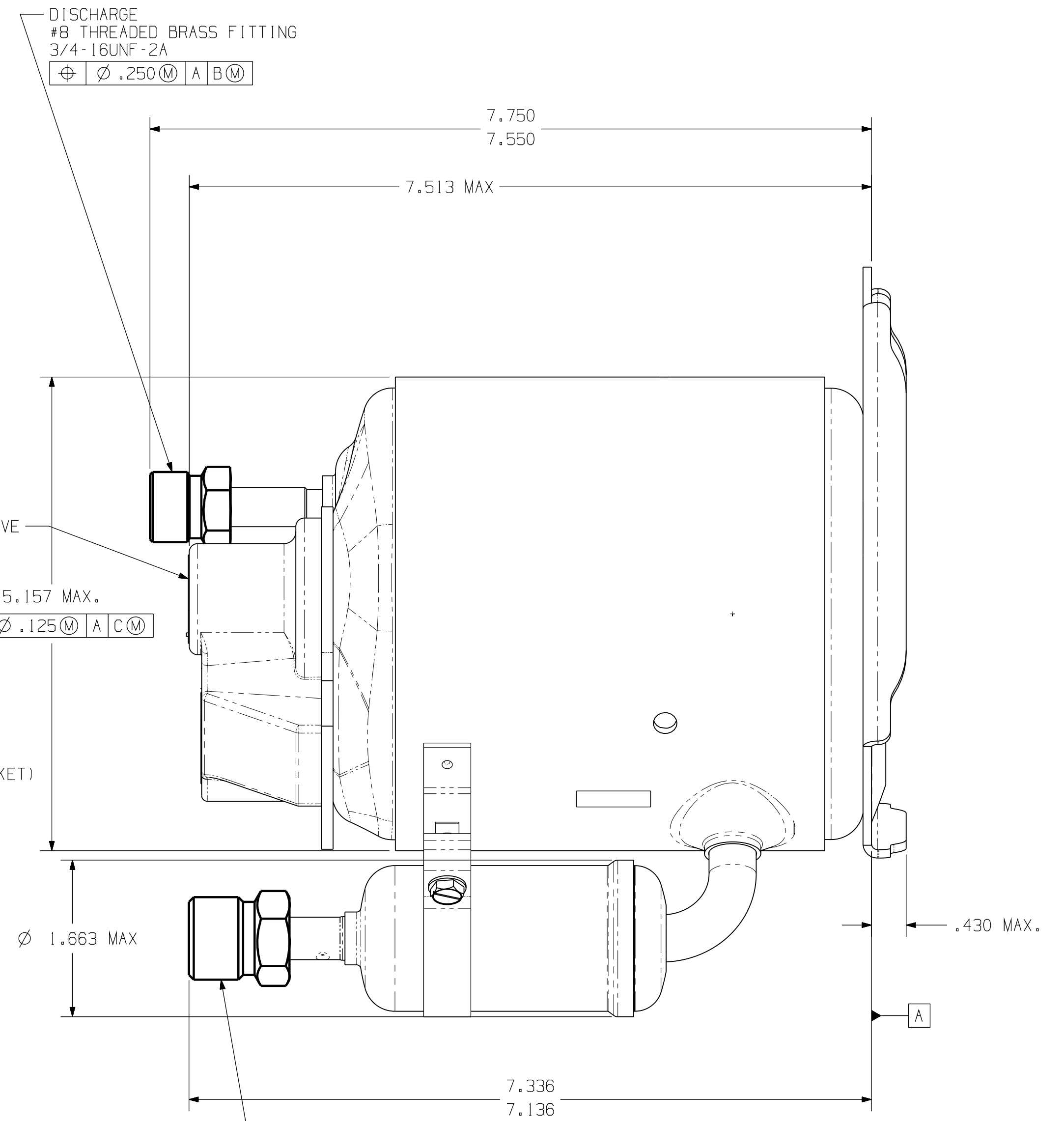
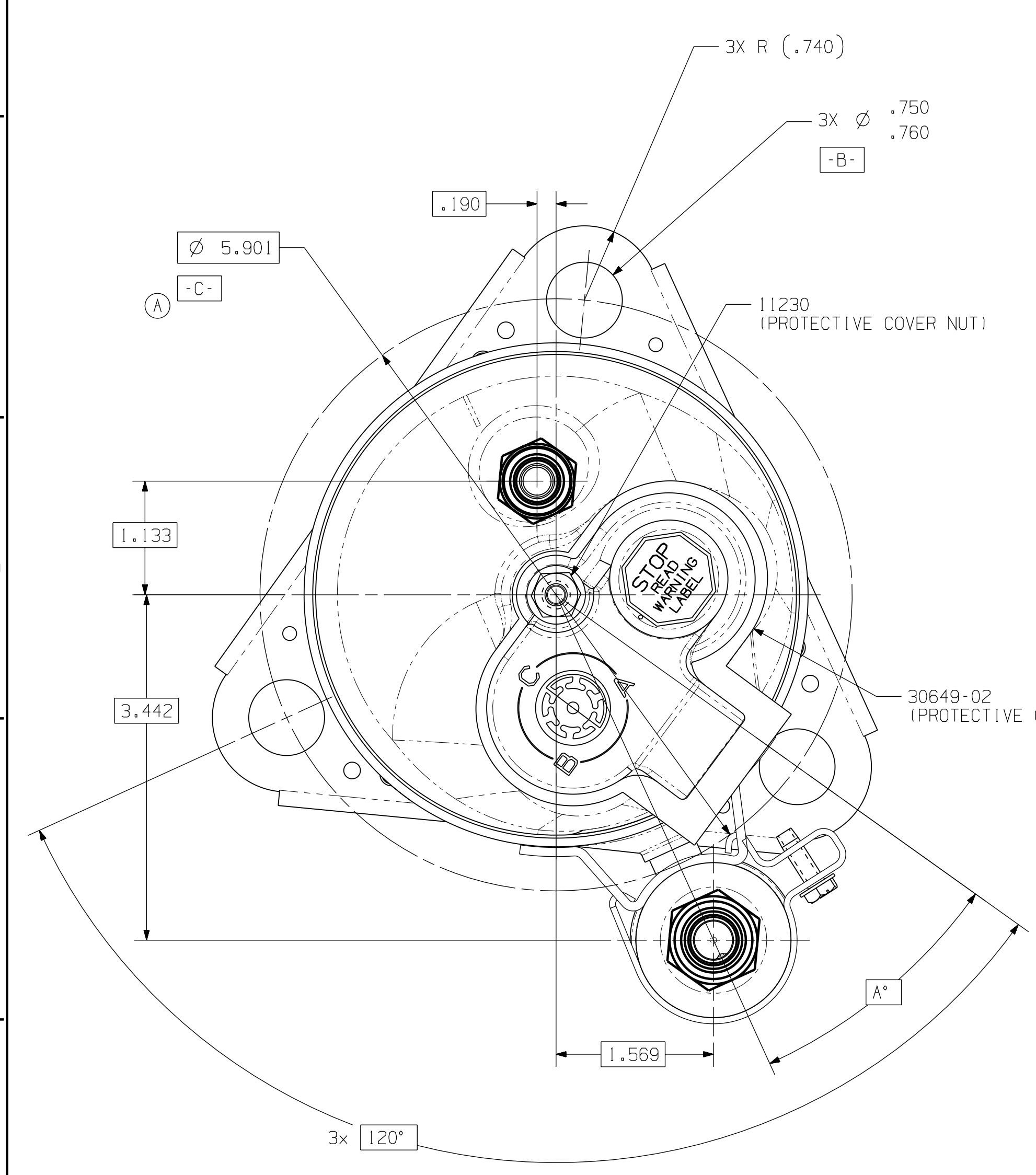


DRAWING NUMBER	A
DCMX03-001	30
DCMX03-002	-27

DRAWING NO. DCMX03 NO



DISCHARGE
#8 THREADED BRASS FITTING
3/4-16UNF-2A
⊕ Ø .250 (M) A B (M)

SUCTION
#10 THREADED BRASS FITTING
7/8-14UNF-2A
⊕ Ø .250 (M) A B (M)

NOTE:
MUST COMPLY WITH T.C.Co. GLOBAL SPEC 08.

ENGLISH	
Q.A. SYMBOLS	
★	= CATEGORY I
▲	= CATEGORY II
■	= CATEGORY III
■	= CATEGORY IV

MASTERFLUX - SIERRA

EC30121 SP 21JAN10 A BE ADDED 50 ADDED NOTE ADDED REL ... EC28953 LT LC CHANGE DATE		DIS.CODE NAME sp 230CT09 ON FILE ON FILE SCALE 1:1 & NOTED THIS PRINT SUPERSEDES ALL PRINTS PRIOR TO	
SALES COMPRESSOR		MATERIAL NOTED	
DRAWING NO. DCMX03 NO		DRAWING NO. DCMX03 NO	

DO NOT SCALE THIS DRAWING. ALL FERROUS MATERIALS MUST NOT BE MACHINED AS BEING IDENTICAL TO COMPRESSOR ASSEMBLY.