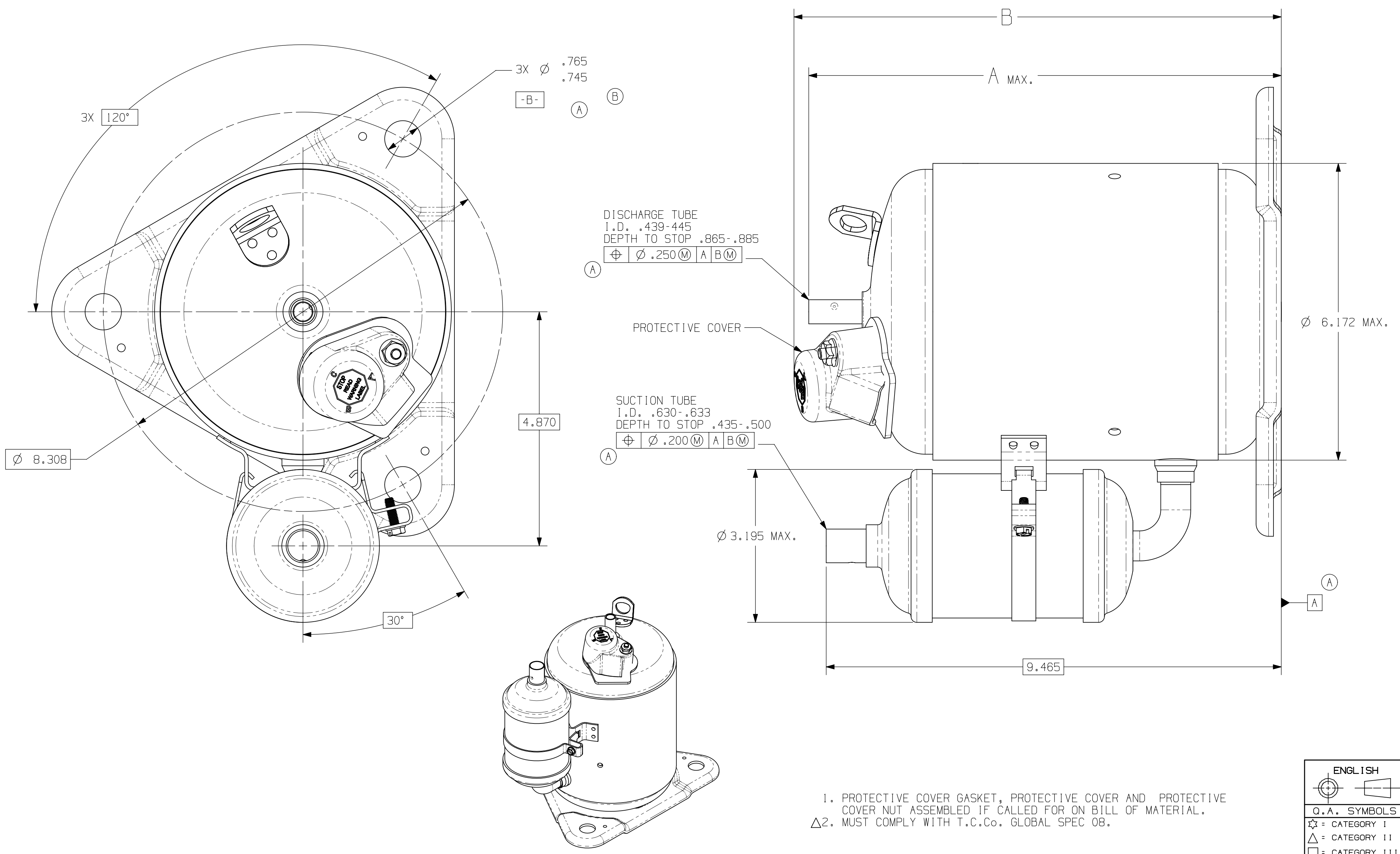


DRAWING NUMBER	A	B
DCMX08-001	9.849	9.237-9.267
DCMX08-002	9.832	10.120-10.150

DRAWING NO. DCMX08 NO



- PROTECTIVE COVER GASKET, PROTECTIVE COVER AND PROTECTIVE COVER NUT ASSEMBLED IF CALLED FOR ON BILL OF MATERIAL.
- MUST COMPLY WITH T.C.Co. GLOBAL SPEC 08.

ENGLISH

Q.A. SYMBOLS

- ☆ = CATEGORY I
- △ = CATEGORY II
- = CATEGORY III
- = CATEGORY IV

MX

SP VIEWS UPDATED 16 JUN 10		SP 06 APR 08		SP 07 APR 08		DATE		DIS.CODE		NAME	
EC31759 ADDED NOTE 2		EC17824 REMOVED POSITION		EC17824 ADDED 60AT FRAME		#EC2588 ADDED DAXIM CALLOUT		EAR 05FEB07		ON FILE	
SE M.S. 07/02/04		SE M.S. 07/02/04		SE M.S. 07/02/04		SE M.S. 07/02/04		ON FILE		ON FILE	
A		B		C		D		SCALE		THIS PRINT SUPERSEDES ALL PRINTS PRIOR TO	
A		B		C		D		3:4 & NOTED		DRAWING NO.	
A		B		C		D		NOTED		DCMX08 NO	
A		B		C		D		DRAWING No.		REVISTON LEVEL:	
A		B		C		D		M0888-08		REL	

SALES COMPRESSOR

TECUMSEH PRODUCTS CO.
TECUMSEH, MICHIGAN

DCMX08 NO

BANNER