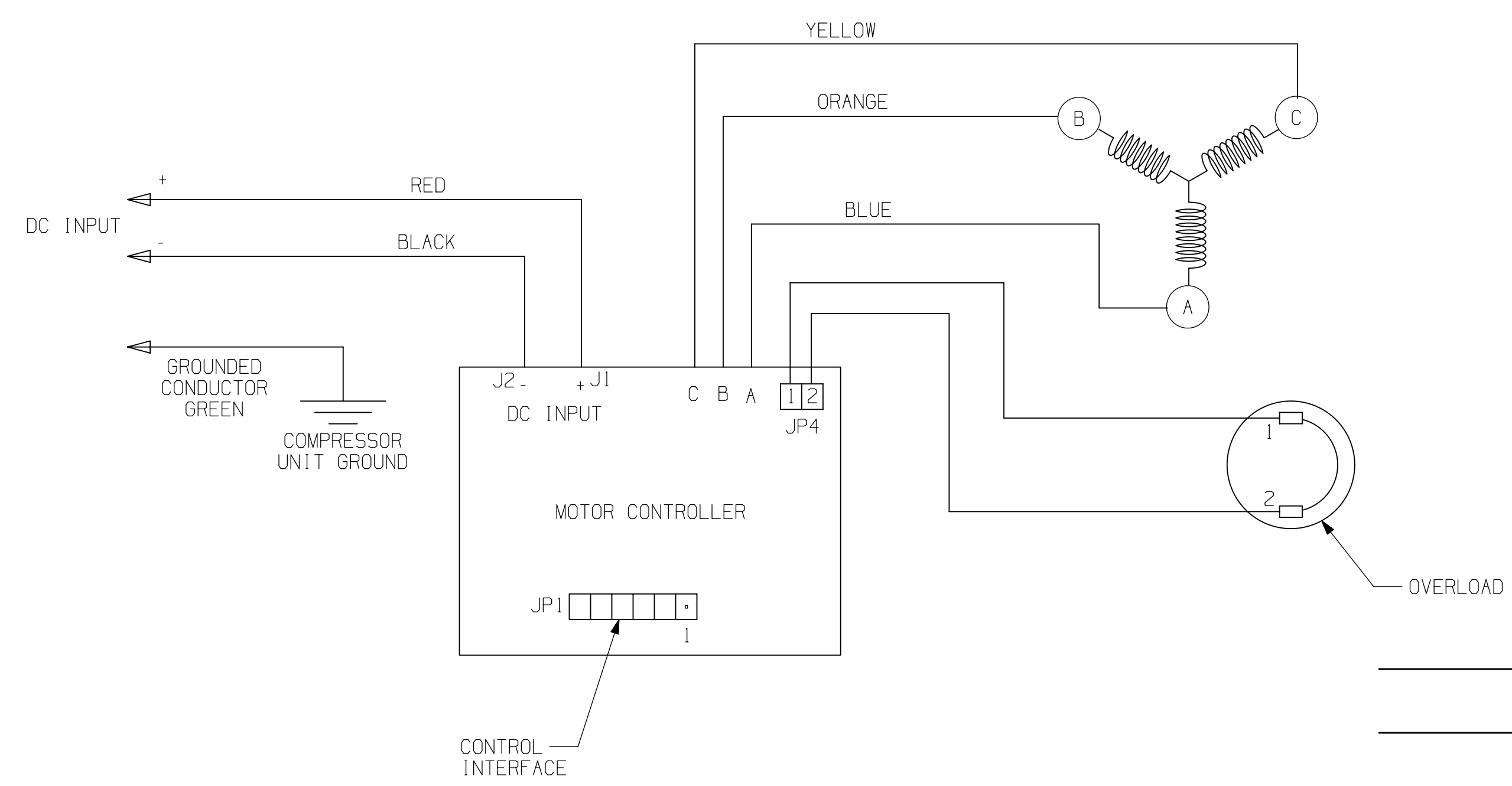


NOTE :

1. ASSEMBLE PARTS AS SHOWN IF SPECIFIED ON B/M.
2. COMPRESSOR UNIT GROUND HOLE LOCATED IN THE MOUNTING FEET OF THE COMPRESSOR.
3. GROUND SCREW IS NOT PROVIDED BY MASTERFLUX.



WARNING
 WIRING DIAGRAM MUST BE FOLLOWED AS SHOWN. ANY MISWIRING CAN CAUSE SERIOUS ELECTRICAL HAZARD AND POTENTIAL DAMAGE OR RUPTURE OF COMPONENTS ELECTRICAL PARTS.

JP1	
6	EXT - SPEED
5	VCC
4	TACH.
3	FAULT
2	ON/OFF
1	COMMON

ASSOCIATED CONTROLLERS: 025A0095
 025A0134
 025A0121
 025A0122

ENGLISH

Q. A. SYMBOLS

- ★ = CATEGORY I
- ▲ = CATEGORY II
- = CATEGORY III
- = CATEGORY IV

SP	EC29309	DATE	DATE	DIS.CODE	NAME	ELECTRICAL HOOKUP				
VIEW	CORRECTED	CHANGED	CHANGED	DWN.	SP	CK.	APR.	SCALE	THIS PRINT SUPERSEDES ALL PRINTS PRIOR TO	
EC18503				23MAY08	ON FILE	ON FILE	ON FILE	1:1 & NOTED	DRAWING NO.	
					MASTERFLUX			DEMEX0020		
					MATERIAL			NOTED		

THIS DRAWING OR PRINT (1:1) IS THE PROPERTY OF MASTERFLUX AND CONTAINS INFORMATION BELONGING TO MASTERFLUX. RECIPIENT ON THE EXPRESS AND SPECIFIC CONDITION THAT NEITHER IT THEREON OR DISCLOSED THEREIN SHALL BE REPRODUCED, COPIED, EITHER WHOLLY OR PARTIALLY, WITHOUT THE EXPRESS AND WRITTEN CONSENT OF MASTERFLUX. ONLY AS EXPRESSLY AND SPECIFICALLY STATED IN THIS DRAWING OR PRINT AND NOT OTHERWISE. NO OTHER USES SHALL BE MADE OF THIS DRAWING OR PRINT WITHOUT THE WRITTEN CONSENT OF MASTERFLUX. IF ANY REVISIONS ARE MADE TO THIS DRAWING OR PRINT, THE REVISIONS SHALL BE RETURNED TO THE RECIPIENT BY THE RECIPIENT WITHIN 10 BUSINESS DAYS OF THE DATE OF SUCH REQUEST IS MADE.

DO NOT SCALE THIS DRAWING. ALL FERROUS MATERIALS SHOULD BE MAGNETIZED AS RECEIVED OR AT COMPRESSOR ASSEMBLY.