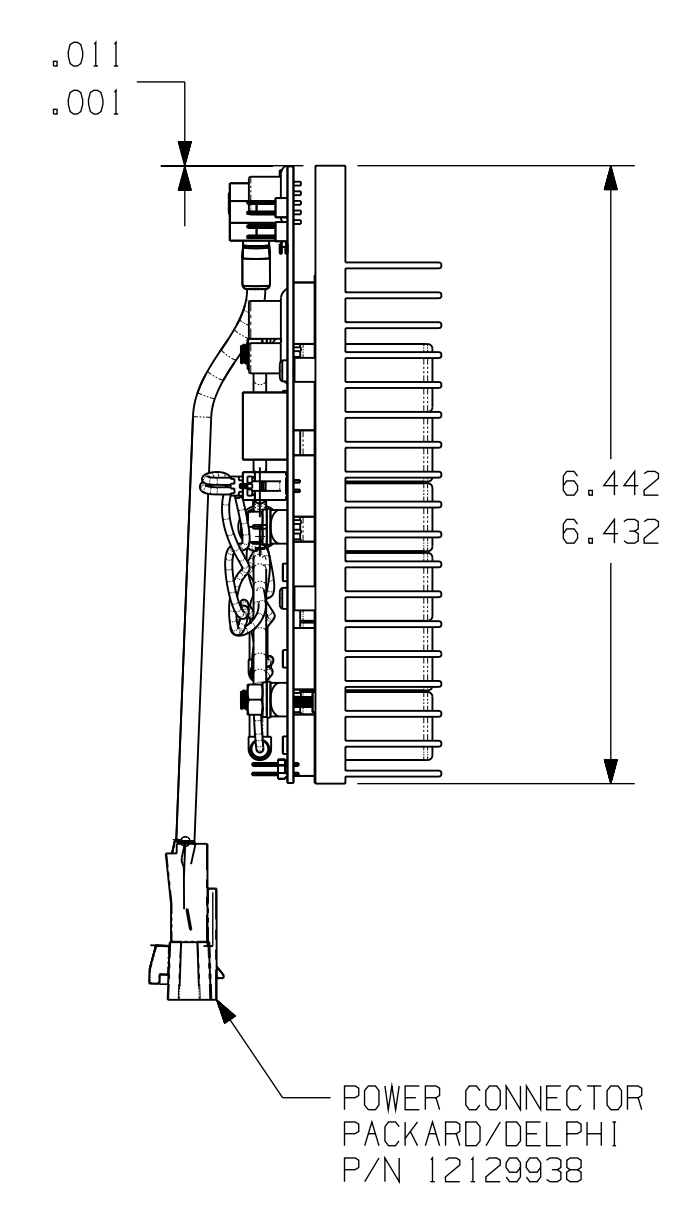
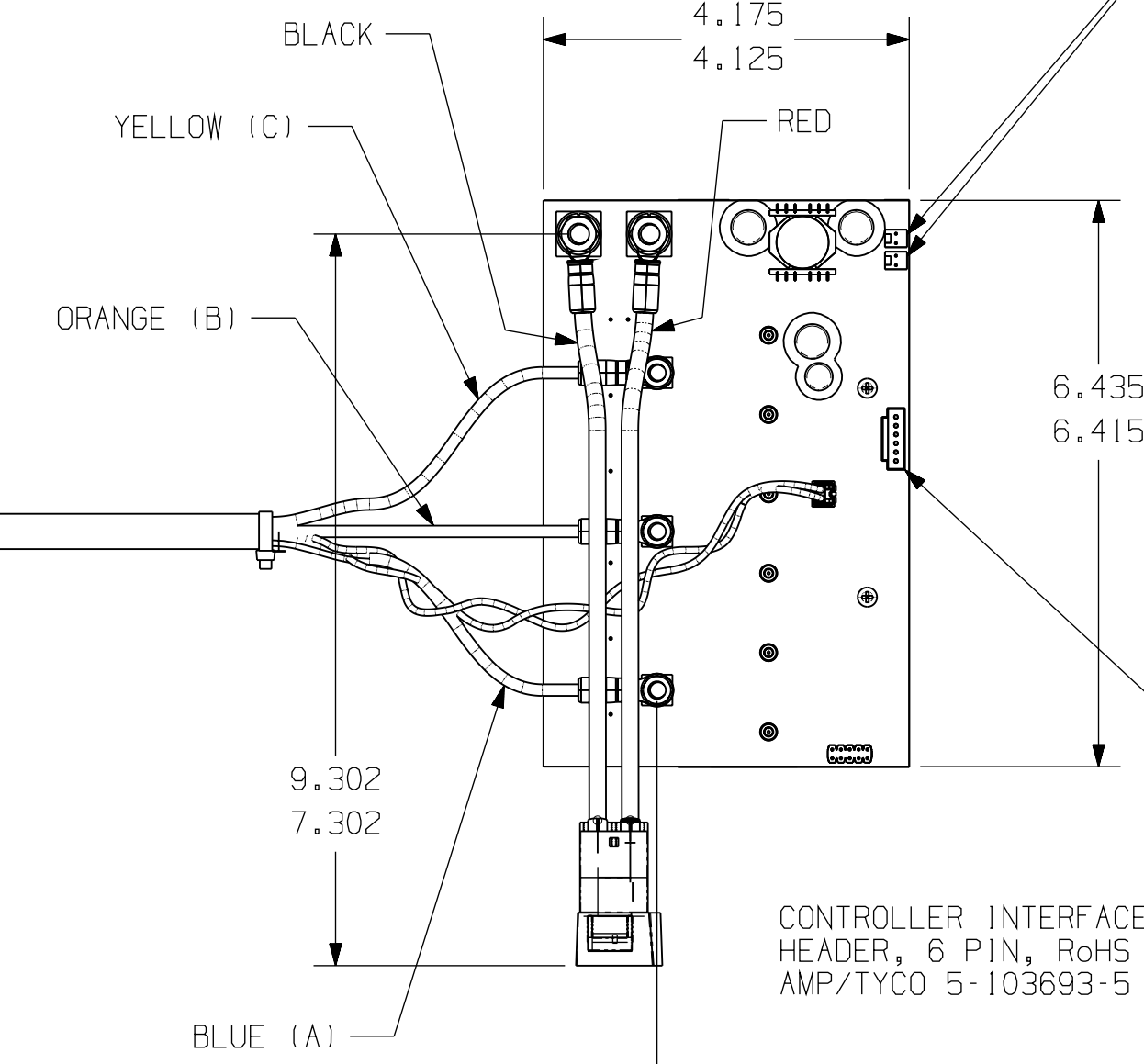


AUXILLARY FAN CONNECTORS  
HEADER, 2 PIN, STRAIGHT FRICTION  
LOCK CONNECTOR  
AMP P/N 640456-2  
2 PLACES

COMPRESSOR CONNECTOR  
AMP P/N 62057-1

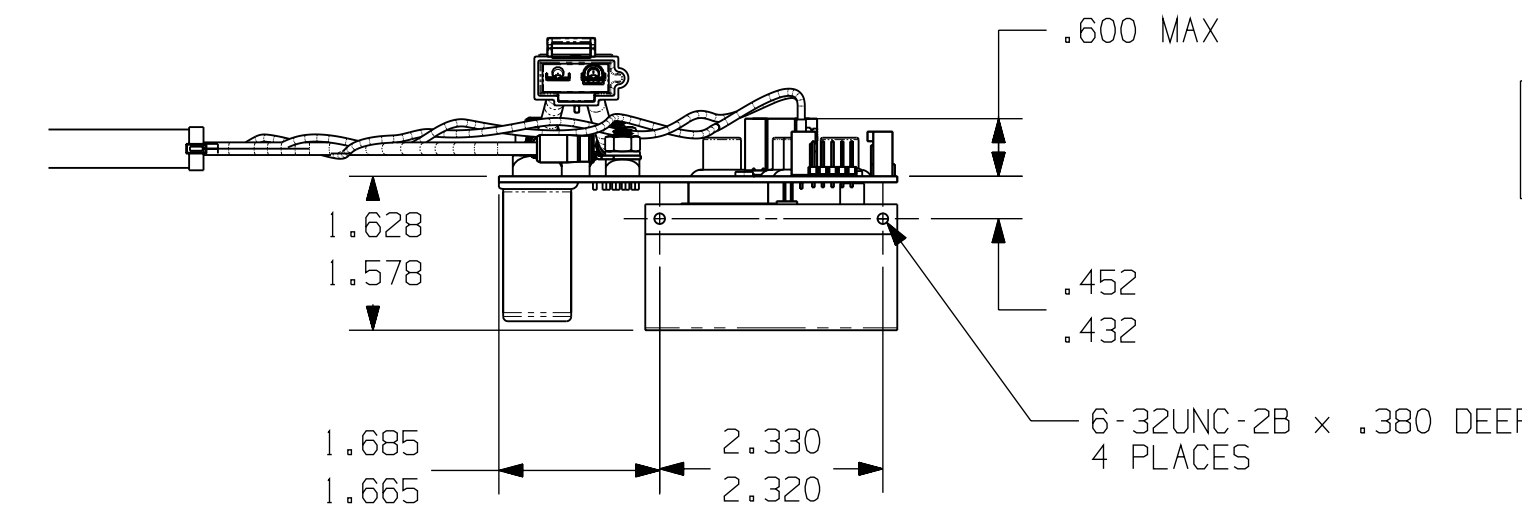
COMPRESSOR CONNECTOR  
AMP P/N 62057-7  
2 PLACES

PROTECTOR CONNECTOR  
AMP P/N 2-520128-2  
2 PLACES



POWER CONNECTOR  
PACKARD/DELPHI  
P/N 12129938

CONTROLLER INTERFACE CONNECTOR  
HEADER, 6 PIN, RoHS  
AMP/TYCO 5-103693-5



ASSOCIATED CONTROLLERS: 025A0121  
025A0122

ENGLISH	
Q.A. SYMBOLS	
★	= CATEGORY I
▲	= CATEGORY II
■	= CATEGORY III
■	= CATEGORY IV

MASTERFLUX

<p>EC29874 SP 08JAN10</p> <p>A 7E ADDED 7D MAS 3x 61187-1</p> <p>REL -- ECI8503</p> <p>LT LC CHANGE</p>				<p>DATE</p> <p>PROPERTY OF MASTERFLUX AND CONTAINING PROPRIETARY AND CONFIDENTIAL INFORMATION. IT IS NOT TO BE REPRODUCED, COPIED, OR DISCLOSED IN ANY MANNER WITHOUT THE WRITTEN CONSENT OF MASTERFLUX. ANY INFORMATION CONTAINED HEREIN IS UNCLASSIFIED AND AVAILABLE TO THE PUBLIC.</p>				<p>DWG. SP 24MAY08</p> <p>CK. ON FILE</p> <p>APR. ON FILE</p> <p>SCALE .5-1 &amp; NOTED</p>				<p>SALES CONTROLLER</p> <p>THIS PRINT SUPERSEDES ALL PRINTS PRIOR TO</p>			
<p>DO NOT SCALE THIS DRAWING. ALL FERROUS MATERIALS MUST NOT BE MACHINED AS COMPRESSOR ASSEMBLY.</p>				<p>MASTERFLUX</p> <p>NOTED</p>				<p>DRAWING NO. DGMX0020</p>							