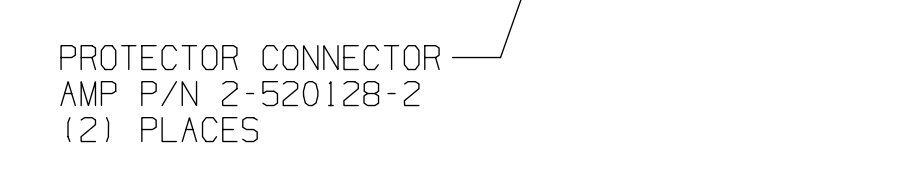
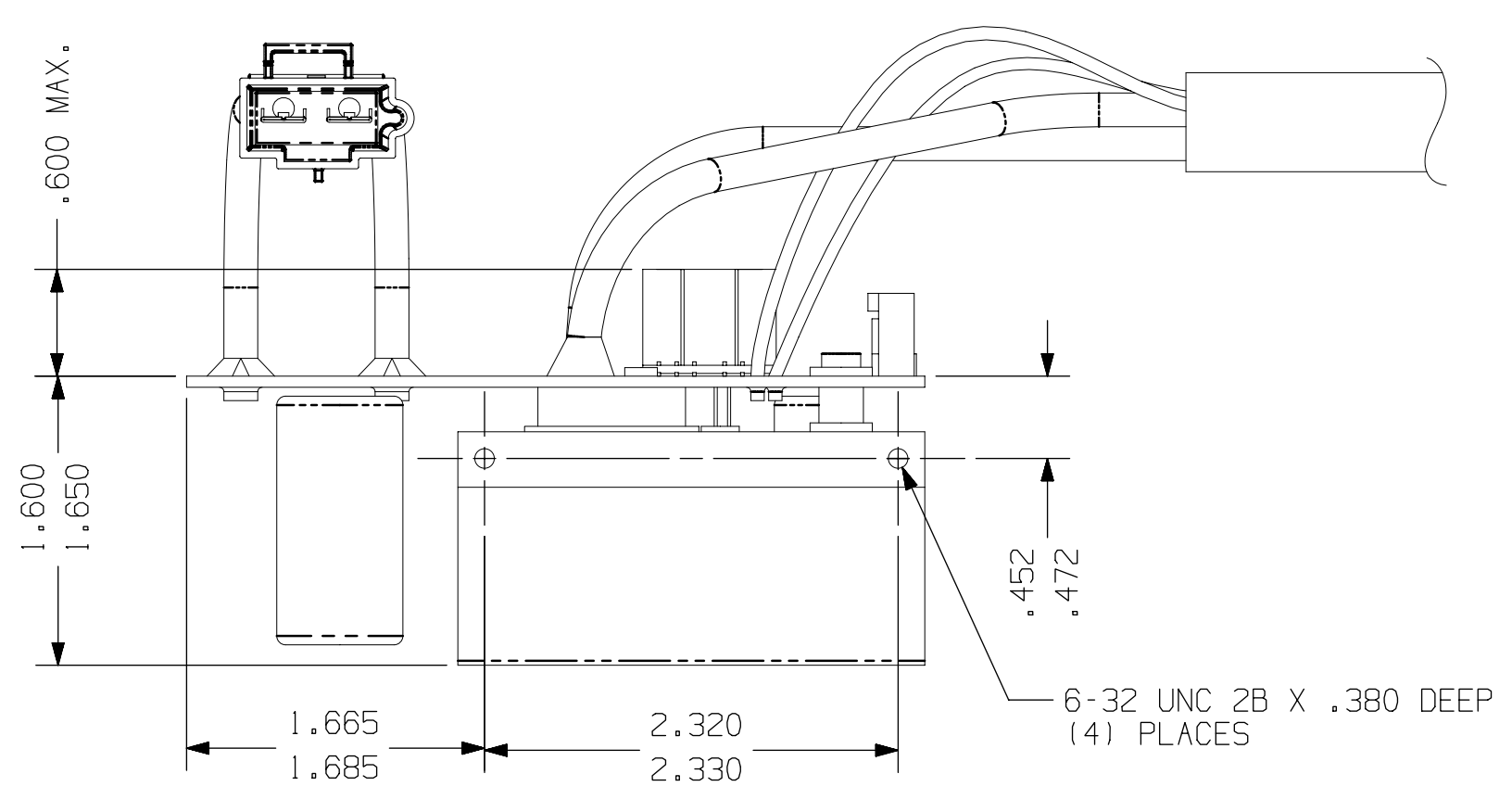
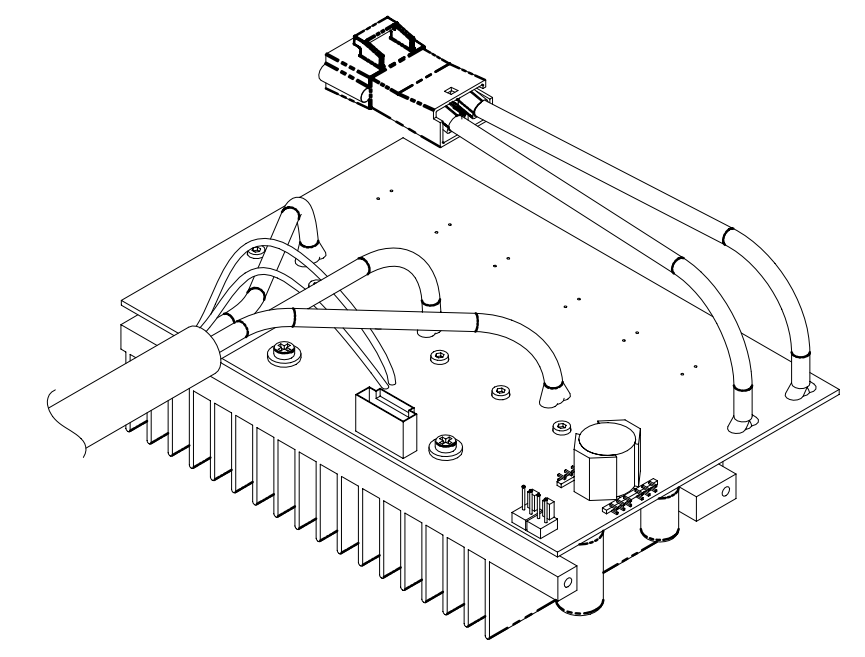
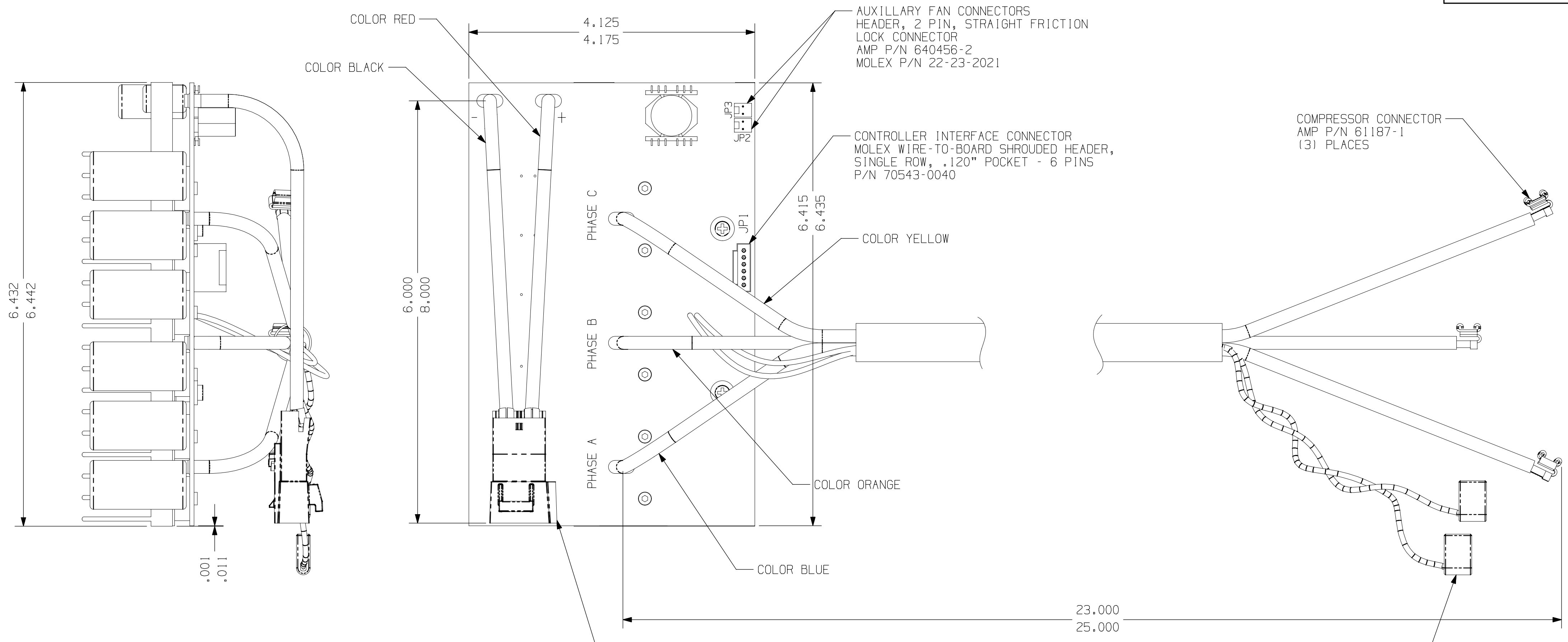


DRAWING NO.
DGMX005



ENGLISH

Q.A. SYMBOLS

- ★ = CATEGORY I
- ▲ = CATEGORY II
- = CATEGORY III
- = CATEGORY IV

MASTERFLUX

THIS DRAWING OR PRINT (1) IS THE PROPERTY OF MASTERFLUX. IT IS TO BE USED ONLY FOR THE PURPOSES AND INFORMATION BELONGING TO MASTERFLUX. NO PART OF THIS DRAWING OR PRINT IS TO BE REPRODUCED OR TRANSMITTED IN ANY FORM OR BY ANY MEANS, ELECTRONIC OR MECHANICAL, INCLUDING PHOTOCOPYING, RECORDING, OR BY ANY INFORMATION STORAGE AND RETRIEVAL SYSTEM, WITHOUT THE WRITTEN PERMISSION OF MASTERFLUX. ANY UNAUTHORIZED REPRODUCTION OR TRANSMISSION OF THIS DRAWING OR PRINT IS STRICTLY PROHIBITED AND WILL BE SUBJECT TO LEGAL ACTION. THE INFORMATION CONTAINED HEREIN IS UNCLASSIFIED AND IS NOT TO BE RELEASED OR DISCLOSED TO THE PUBLIC OR TO ANY OTHER ENTITY WITHOUT THE WRITTEN PERMISSION OF MASTERFLUX. IF YOU HAVE ANY QUESTIONS REGARDING THIS DRAWING OR PRINT, PLEASE CONTACT YOUR MASTERFLUX REPRESENTATIVE.	DIS. CODE NAME SALES CONTROLLER	
	DWN. ASC 08APR03 CK. ON FILE APR. ON FILE SCALE 1=1 & NOTED THIS PRINT SUPERSEDES ALL PRINTS PRIOR TO	DRAWING NO. DGMX005
	MATERIAL NOTED	DRAWING NO. DGMX005