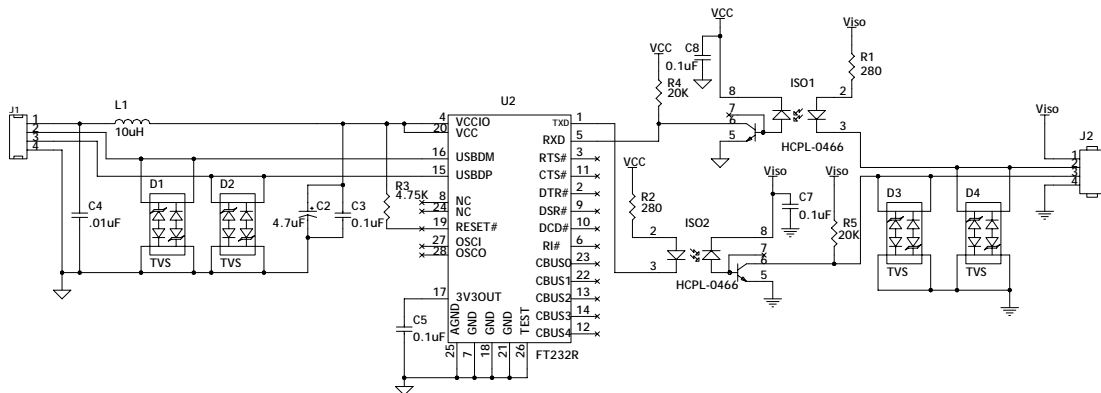
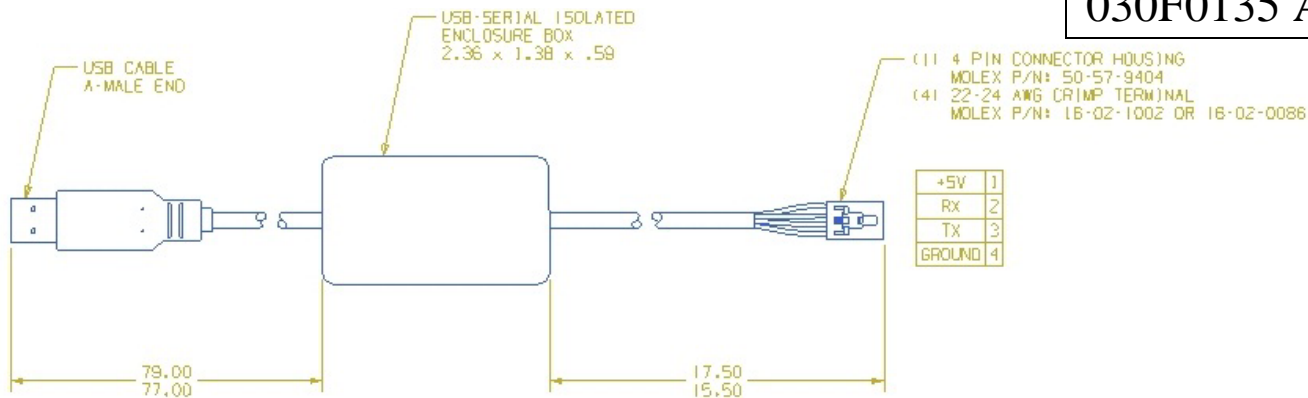


The 003F0135 is an optically isolated USB to serial converter designed to be used with MasterFlux controllers. One side of the converter is powered from the USB port and the other side is powered from the controller. The communication format is 19200 baud, 8 data bits, no parity, 1 stop bit and no flow control. The controller will print the model number and revision at power-up and then send updated serial string of the current controller conditions every second. The example to the left is the format of what is printed out the serial port. The serial string will include controller temperature, input voltage, motor current, speed and fault. Some of the reported faults are STALLED, STRART UP FAILED, MOTOR OVERHEAT, UNDER VOLTAGE, OVER VOLTAGE, OVER CURRENT, CONTROLLER OVERHEAT and LOW SPEED. Reference the product specification for your model number for more detailed information on fault conditions.

The converter makes use of the FT232R which requires USB drivers and they can be found at <http://www.ftdichip.com/Drivers/VCP.htm>

## 030F0135 Assembly drawing and schematic



Date: 01-17-11

Revision: rel

DGMX0047