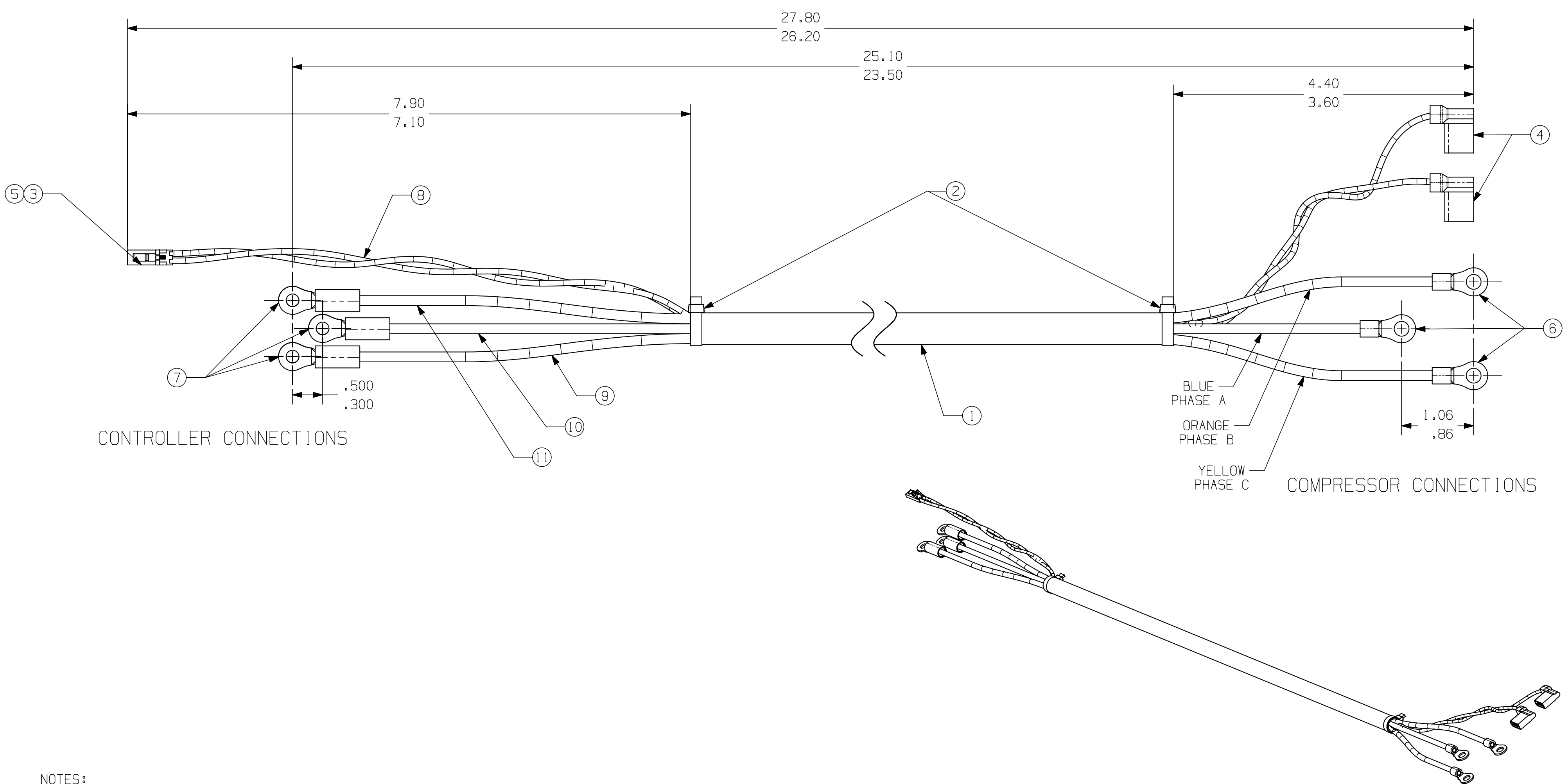


ITEM #	DESCRIPTION	QTY PER	UoM	MFG	MFG PART NO.	MFG 2	MFG 2 PART NO.	MFG 3	MFG 3 PART NO.
1	SLEEVE, 150C, ACRYLIC, 7/16", BLACK - VARGLAS A397 RI NU-SLEEVE AG-155	16	INCH	VARFLEX	2313044	DELFINEN	NU-SLEEVE AG-155		
2	WIRE TIE, PLASTIC, HIGH TEMP, 4", 18 POUND TENSILE	2	EA	PANDUIT	PLTIM-M76	PANDUIT	PLTIM-C76		
3	CONNECTOR, 2 PIN, W/LATCH	1	EA	MOLEX	50-57-9402				
4	CRIMP, RECEPTACLE, FASTON, FLAG, INSULATED, 22-16 AWG WIRE	2	EA	TE/AMP	2-521028-2	TE/AMP	2-520129-2		
5	CRIMP PIN, FOR MOLEX 70066C SERIES	2	EA	MOLEX	16-02-0102	MOLEX	16-02-0086		
6	TERMINAL RING, #10 STUD, 10-12 AWG, NON-INSULATED	3	EA	TE/AMP	2-33457-2	TE/AMP	33457		
7	TERMINAL RING, #8 STUD, 10-12 AWG	3	EA	TE/AMP	8-35108-1	TE/AMP	35108	TE/AMP	2-35108-1
8	TFE TEFLON, INSULATED HOOKUP WIRE, UL1180, 220C, 300V, 22AWG, BLACK	56	INCH	ANY UL REGISTERED FIRM	PER DESCRIPTION				
9	XLPE INSULATED APPLIANCE WIRE, UL 3321, 150C, 600V, 10AWG, BLUE	24	INCH	ANY UL REGISTERED FIRM	PER DESCRIPTION				
10	XLPE INSULATED APPLIANCE WIRE, UL 3321, 150C, 600V, 10AWG, ORANGE	24	INCH	ANY UL REGISTERED FIRM	PER DESCRIPTION				
11	XLPE INSULATED APPLIANCE WIRE, UL, UL 3321, 150C, 600V, 10AWG, YELLOW	24	INCH	ANY UL REGISTERED FIRM	PER DESCRIPTION				



- NOTES:
1. CONNECTION BETWEEN WIRE & TERMINAL MUST WITHSTAND A 10 LB. PULL TEST.
 2. ALL STRANDS MUST BE CONTAINED BY TERMINALS.
 3. MASTERFLUX PART NUMBER AND REVISION MUST BE MARKED ON ASSEMBLY.
 4. ASSEMBLE CABLE IN ACCORDANCE WITH THE LATEST IPC/WHMA-A-620 STANDARDS.
 5. FOR SUPPLIER ENVIRONMENTAL REGULATORY REQUIREMENTS, SEE T.P.Co. GLOBAL SPEC. 08.
 6. CRIMP TOOLING MUST MEET MANUFACTURER SPECS.

© FOR USE WITH 24/48V MODELS.
 FOR DETAILS SEE THE MASTERFLUX CATALOG
 OR CONTACT MASTERFLUX SALES FOR DETAILS.

ENGLISH	
Q.A. SYMBOLS	
☆	= CATEGORY I
△	= CATEGORY II
□	= CATEGORY III
=	= CATEGORY IV

EC76600 RDS 23MAY17 UPDATED BOM AND DESC.				EC77437 RDS 20MAR17 UPDATED NOTE				EC76968 RDS 24FEB17 UPDATED VIEWS & ADDED BOM				EC76082 RDS 08JAN17 CHANGED MOTOR TERMINALS TO NON-INSULATED				REL -- EC60634 --				THIS DRAWING OR PRINT IS THE PROPERTY OF MASTERFLUX AND CONTAINS PROPRIETARY AND CONFIDENTIAL INFORMATION. IT IS MADE AVAILABLE TO THE CUSTOMER UNDER A SPECIFIC CONTRACT. NEITHER IT NOR THE DATA CONTAINED THEREIN SHALL BE DISCLOSED OR MADE AVAILABLE TO ANY OTHER PARTY WITHOUT THE WRITTEN CONSENT OF MASTERFLUX. ANY REPRODUCTION OR TRANSMISSION OF THIS DRAWING OR PRINT WITHOUT THE WRITTEN CONSENT OF MASTERFLUX IS PROHIBITED. THE CUSTOMER AGREES TO HOLD MASTERFLUX HARMLESS FROM AND AGAINST ALL CLAIMS, DAMAGES, LOSSES AND EXPENSES, INCLUDING REASONABLE ATTORNEY'S FEES, THAT MAY BE ASSERTED AGAINST MASTERFLUX AS A RESULT OF THE CUSTOMER'S USE OF THIS DRAWING OR PRINT. THIS REQUEST IS MADE IN FULLY AFTER APPROVAL IN WRITING BY TECHUSHER. THIS DRAWING OR PRINT IS NOT TO BE COPIED OR DUBLICATED IN ANY MANNER WITHOUT THE WRITTEN CONSENT AND APPROVAL OF TECHUSHER. THE CUSTOMER AGREES TO HOLD MASTERFLUX HARMLESS FROM AND AGAINST ALL CLAIMS, DAMAGES, LOSSES AND EXPENSES, INCLUDING REASONABLE ATTORNEY'S FEES, THAT MAY BE ASSERTED AGAINST MASTERFLUX AS A RESULT OF THE CUSTOMER'S USE OF THIS DRAWING OR PRINT. THIS REQUEST IS MADE IN FULLY AFTER APPROVAL IN WRITING BY TECHUSHER.				DIS.CODE NAME CABLE, HARNESS, MOTOR/SHELL TEMP, #8 AND #10 RING TERMINALS			
DWN. RDS 11AUG14				CK. ON FILE				APR. ON FILE				SCALE 1:1 & NOTED				THIS PRINT SUPERSEDES ALL PRINTS PRIOR TO											
MATERIAL NOTED												DRAWING NO. 040F0250															