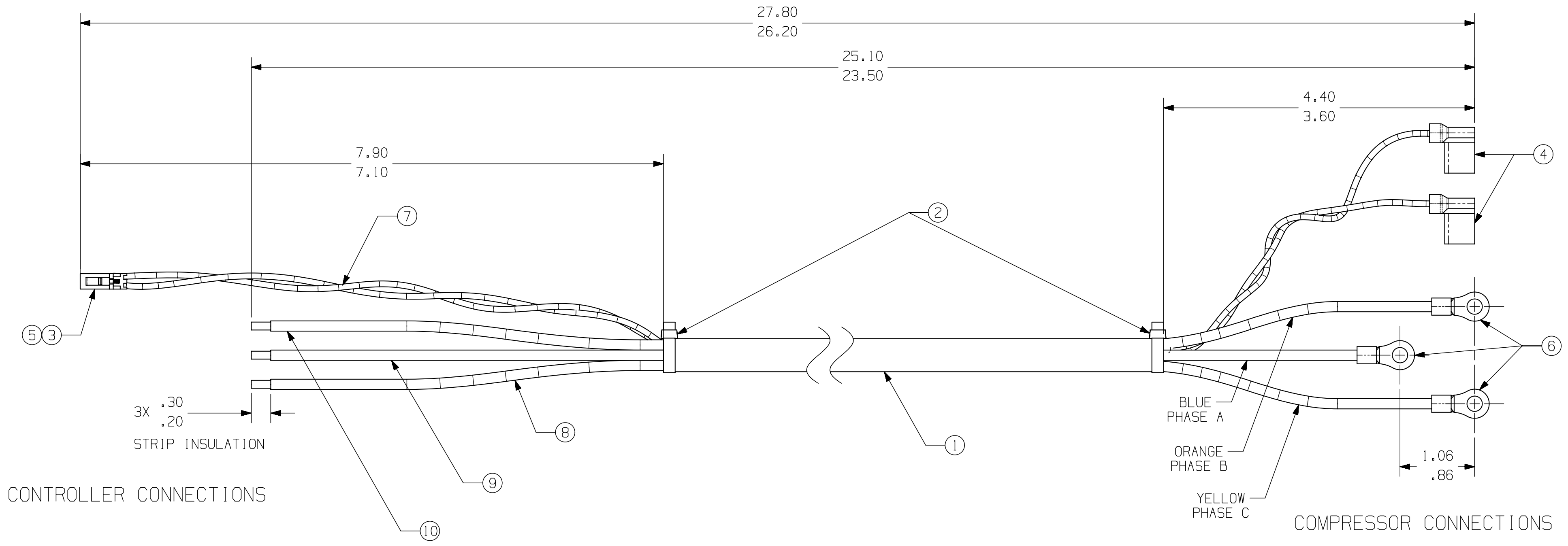


ITEM #	DESCRIPTION	QTY PER	UoM	MFG	MFG PART NO.	MFG 2	MFG 2 PART NO.
1	SLEEVE, 150C, ACRYLIC, 7/16", BLACK - VARGLAS A397 RI NU-SLEEVE AG-155	16	INCH	VARFLEX	2313044	DELFINEN	NU-SLEEVE AG-155
2	WIRE TIE, PLASTIC, HIGH TEMP, 4", 18 POUND TENSILE	2	EA	PANDUIT	PLT1M-M76	PANDUIT	PLT1M-C76
3	CONNECTOR, 2 PIN, W/LATCH	1	EA	MOLEX	50-57-9402		
4	CRIMP, RECEPTACLE, FASTON, FLAG, INSULATED, 22-16 AWG WIRE	2	EA	TE/AMP	2-521028-2	TE/AMP	2-520129-2
5	CRIMP PIN, FOR MOLEX 70066C SERIES	2	EA	MOLEX	16-02-0102	MOLEX	16-02-0086
6	TERMINAL RING, #10 STUD, 10-12 AWG, NON-INSULATED	3	EA	TE/AMP	2-33457-2	TE/AMP	33457
7	TFE TEFLON, INSULATED HOOKUP WIRE, UL1180, 220C, 300V, 22AWG, BLACK	56	INCH	ANY UL REGISTERED FIRM	PER DESCRIPTION		
8	XLPE INSULATED APPLIANCE WIRE, UL 3321, 150C, 600V, 10AWG, BLUE	24	INCH	ANY UL REGISTERED FIRM	PER DESCRIPTION		
9	XLPE INSULATED APPLIANCE WIRE, UL 3321, 150C, 600V, 10AWG, ORANGE	24	INCH	ANY UL REGISTERED FIRM	PER DESCRIPTION		
10	XLPE INSULATED APPLIANCE WIRE, UL, UL 3321, 150C, 600V, 10AWG, YELLOW	24	INCH	ANY UL REGISTERED FIRM	PER DESCRIPTION		



- NOTES:
1. CONNECTION BETWEEN WIRE & TERMINAL MUST WITHSTAND A 10 LB. PULL TEST.
  2. ALL STRANDS MUST BE CONTAINED BY TERMINALS.
  3. MASTERFLUX PART NUMBER AND REVISION MUST BE MARKED ON ASSEMBLY.
  4. ASSEMBLE CABLE IN ACCORDANCE WITH THE LATEST IPC/WHMA-A-620 STANDARDS.
  - ▲ 5. MUST COMPLY WITH T.C.Co. GLOBAL SPEC 08.
  6. CRIMP TOOLING MUST MEET MANUFACTURER SPECS.

FOR USE WITH 100/150V AND 150/300V MODELS.  
 FOR DETAILS SEE THE MASTERFLUX CATALOG  
 OR CONTACT MASTERFLUX SALES FOR DETAILS.

ENGLISH

Q.A. SYMBOLS

- ☆ = CATEGORY I
- △ = CATEGORY II
- = CATEGORY III
- = CATEGORY IV

MX

BANNER	RDS EC76968 REVISED VIEWS & ADDED BOM 24FEB17	DATE ---	THIS DRAWING OR PRINT (1:1) IS THE PROPERTY OF MASTERFLUX AND CONTAINS PROPRIETARY AND CONFIDENTIAL INFORMATION. IT IS MADE AVAILABLE TO THE CUSTOMER UNDER THE CONDITION THAT NEITHER IT NOR THE INFORMATION CONTAINED THEREIN SHALL BE DISCLOSED OR MADE AVAILABLE TO ANY OTHER PARTY WITHOUT THE WRITTEN CONSENT OF MASTERFLUX. ANY UNAUTHORIZED REPRODUCTION OR TRANSMISSION OF THIS INFORMATION IS STRICTLY PROHIBITED. A REQUEST FOR THIS INFORMATION SHALL BE MADE BY THE CUSTOMER TO THE SUPPLIER.	DIS.CODE NAME CABLE, HARNESS, MOTOR/SHELL TEMP, #10 RING TERMINALS AT COMP, STRIPPED AT CONT.				
	REL A	CHANGE EC76081	LT ---	DWN. RDS 04JAN16	CK. ON FILE	APR. ON FILE	SCALE 1:1 & NOTED	THIS PRINT SUPERSEDES ALL PRINTS PRIOR TO
	MATERIAL NOTED			DRAWING NO. 040F0268				