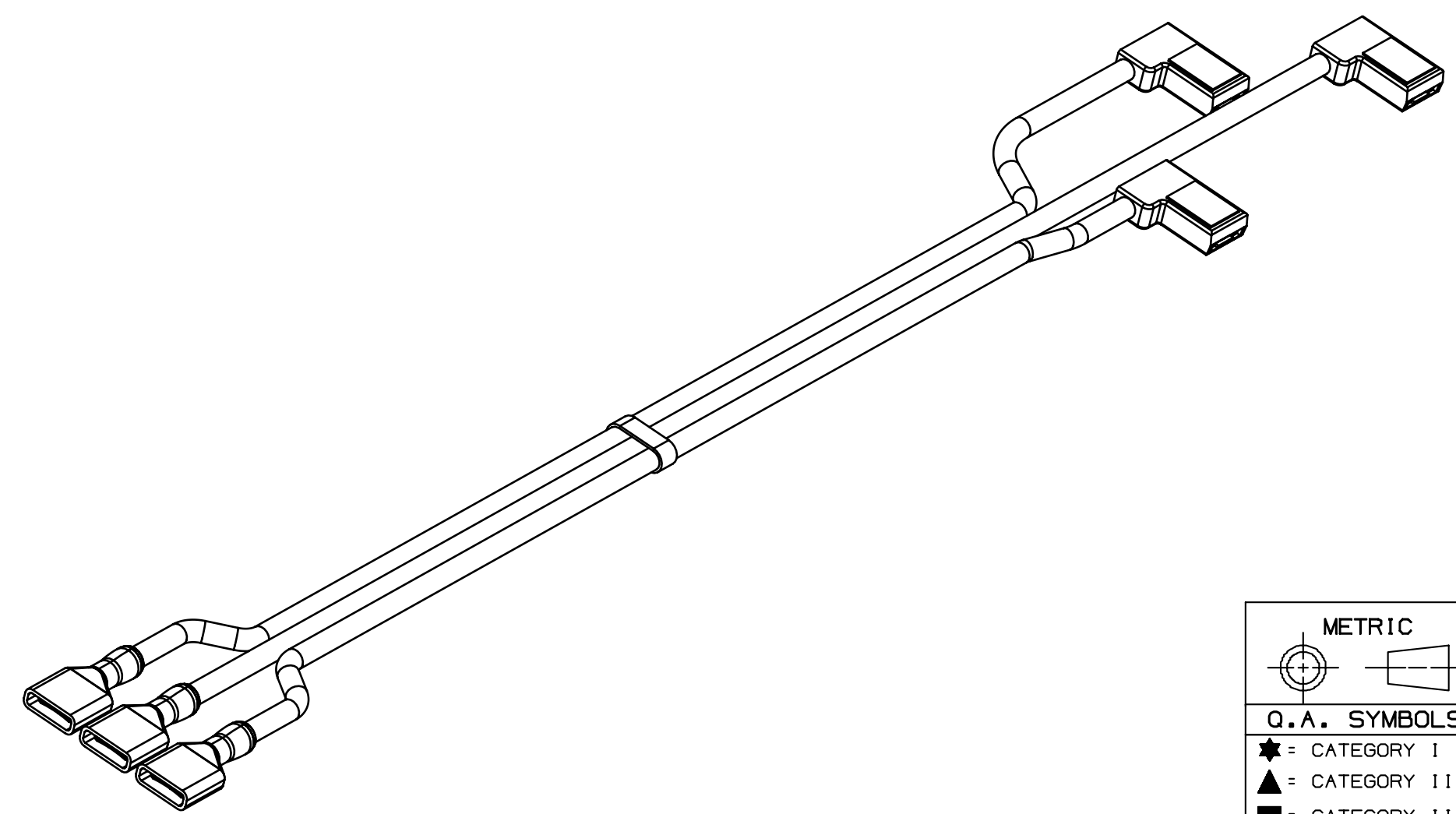
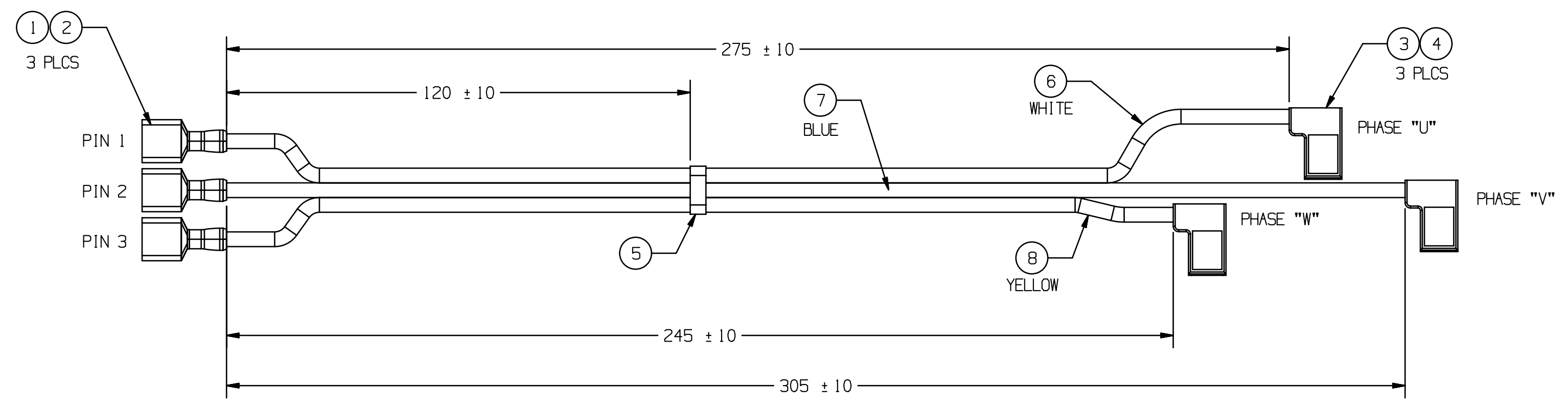


NO	DESCRIPTION	MANUFACTURER	PART #	QTY
1	TERMINAL, 250, STRAIGHT, REC, 14-10 AWG, CRIMP	KET	ST730136-2	3
2	SHRINK TUBING, BLACK, 1/2"	ANY THAT MEET DESCRIPTION		3
3	TERMINAL, 250, FLAG, REC, 12-10 AWG, CRIMP	AMP	60851-1	3
4	TERMINAL COVER	KET	MG634833S	3
5	CABLE TIE, NYLON, BLACK, 4", 18 POUND TENSILE	ANY THAT MEET DESCRIPTION		1
6	HOOK UP WIRE, 10 AWG, UL1015, PVC, 600V, 105C, WHITE	ANY THAT MEET DESCRIPTION		275mm
7	HOOK UP WIRE, 10 AWG, UL1015, PVC, 600V, 105C, BLUE	ANY THAT MEET DESCRIPTION		305mm
8	HOOK UP WIRE, 10 AWG, UL1015, PVC, 600V, 105C, YELLOW	ANY THAT MEET DESCRIPTION		245mm



- NOTES:
1. ALL DIMENSIONS ARE MEASURED WITH CABLES LAID STRAIGHT.
 2. CONNECTION BETWEEN WIRE & TERMINAL MUST WITHSTAND A 10 LB. PULL TEST.
 3. ALL STRANDS MUST BE CONTAINED BY TERMINALS.
 4. MASTERFLUX PART NUMBER AND REVISION MUST BE MARKED ON ASSEMBLY.
 5. MAXIMUM CURRENT OF ASSEMBLY IS 30 AMPS.
 6. ASSEMBLE CABLE IN ACCORDANCE WITH THE LATEST IPC/WHMA-A-620 STANDARDS.
 7. FOR SUPPLIER ENVIRONMENTAL REGULATORY REQUIREMENTS, SEE T.P.Co. GLOBAL SPEC. 08.

METRIC

Q.A. SYMBOLS

- ★ = CATEGORY I
- ▲ = CATEGORY II
- = CATEGORY III
- = CATEGORY IV

ATLAS

REL	EC81392	LT	LC	CHANGE	DATE	DIS.CODE	DESCRIPTION
							CABLE, HARNESS, COMPRESSOR POWER
						DWN.	RDS
						07MAR18	
						CHK & APR	ON FILE
						SCALE	1=1 & NOTED
						THIS PRINT SUPERSEDES ALL PRINTS PRIOR TO	
						DWG NO.	
						040F0276	
						MATERIAL	
						NOTED	

THIS DRAWING OR PRINT IS THE PROPERTY OF ATLAS. IT IS TO BE KEPT IN THE COMPANY'S TECHNICAL DRAWING FILES AND NOT TO BE REPRODUCED OR COPIED IN ANY MANNER WITHOUT THE WRITTEN CONSENT OF ATLAS. THE USER SHALL BE RESPONSIBLE FOR OBTAINING THE LATEST REVISION OF THIS DRAWING. ANY CHANGES TO THIS DRAWING SHALL BE INDICATED BY A REVISION SYMBOL AND A DATE. THE USER SHALL BE RESPONSIBLE FOR OBTAINING THE LATEST REVISION OF THIS DRAWING. ANY CHANGES TO THIS DRAWING SHALL BE INDICATED BY A REVISION SYMBOL AND A DATE.

DO NOT SCALE THIS DRAWING. ALL DIMENSIONS SHALL BE TAKEN FROM THE DRAWING. DIMENSIONS SHOWN ON THIS DRAWING SHALL BE TAKEN FROM THE DRAWING. DIMENSIONS SHOWN ON THIS DRAWING SHALL BE TAKEN FROM THE DRAWING.

ATLAS