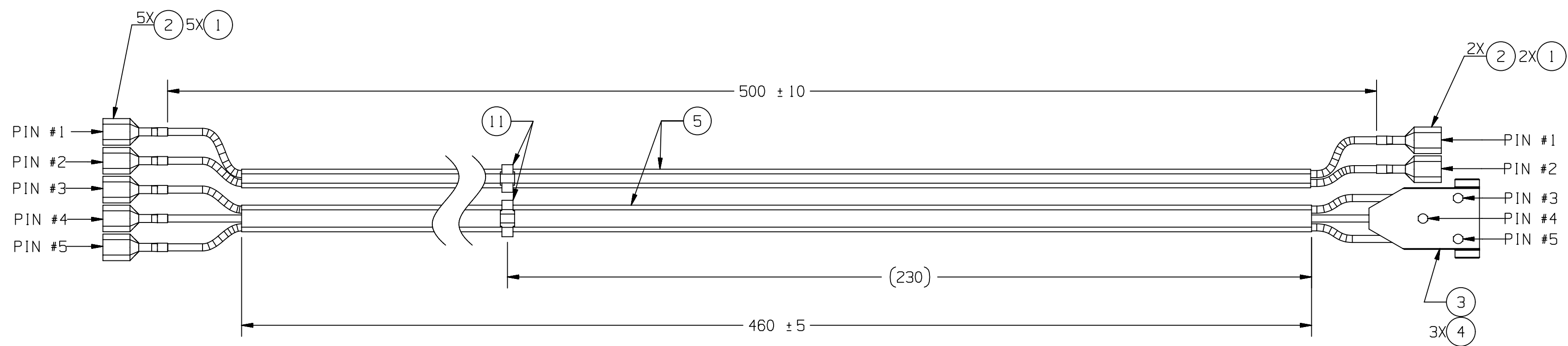
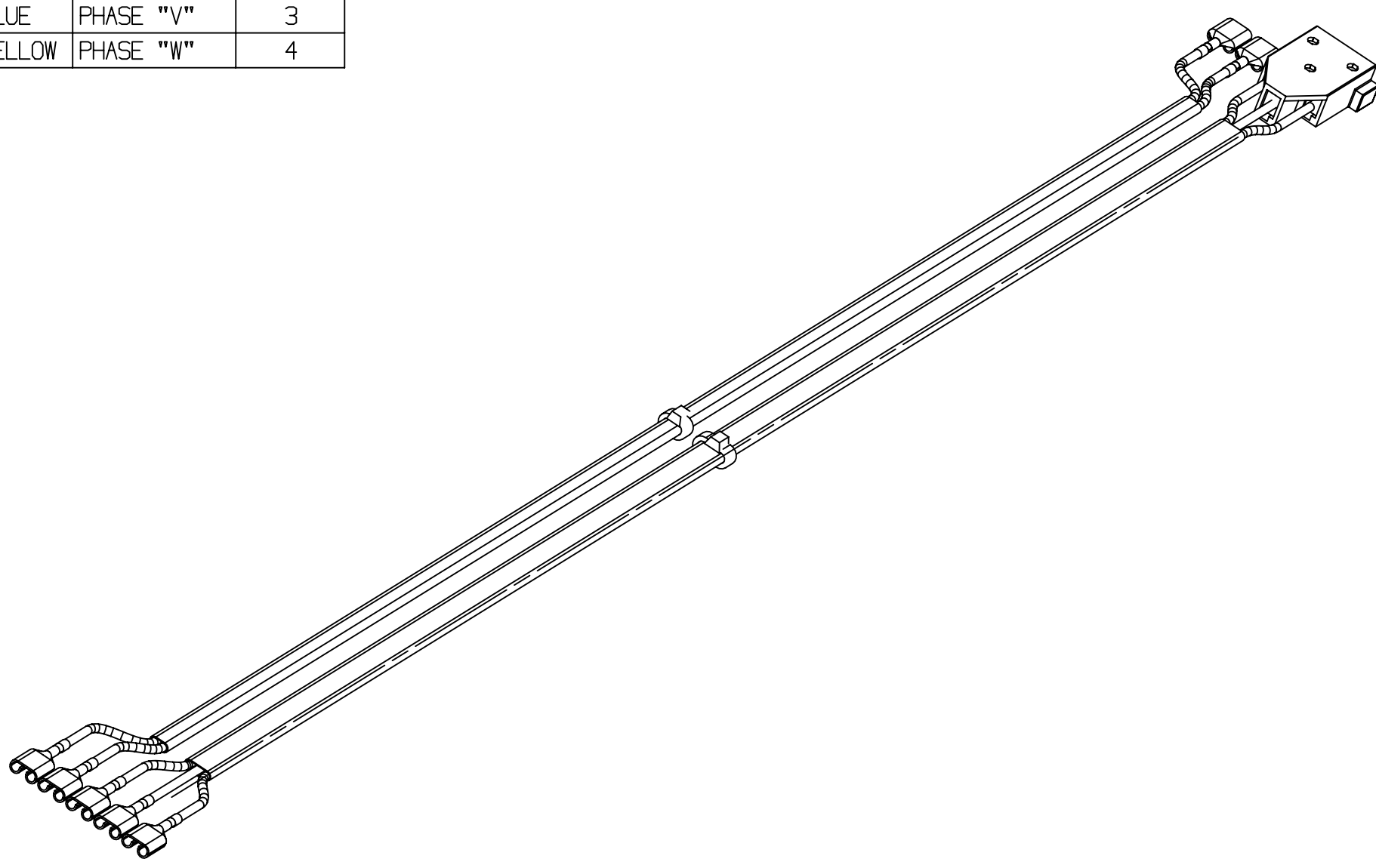


NO.	DESCRIPTION	MANUFACTURER	PART #	QTY	COLOR
1	HEAT SHRINK TUBING	ANY THAT MEET DESCRIPTION		7	BLACK
2	TERMINAL, CRIMP, 16 AWG, TIN	K.E.T	ST730135-2	7	-
3	HOUSING, CLUSTER BLOCK, UL 94V-0, GRAY	TE / AMP	171370-5	1	GRAY
4	RECEPTACLE, CRIMP, 20-16 AWG, TIN	TE / AMP	170063-2	3	-
5	TUBE, PVC, 11.0, 105C, BLACK, L460	ANY THAT MEET DESCRIPTION		2	BLACK
6	WIRE, 16 AWG, UL1015, PVC, 600V, 105C, RED	ANY THAT MEET DESCRIPTION		500mm	RED
7	WIRE, 16 AWG, UL1015, PVC, 600V, 105C, BLACK	ANY THAT MEET DESCRIPTION		500mm	BLACK
8	WIRE, 16 AWG, UL1015, PVC, 600V, 105C, RED	ANY THAT MEET DESCRIPTION		500mm	RED
9	WIRE, 16 AWG, UL1015, PVC, 600V, 105C, BLUE	ANY THAT MEET DESCRIPTION		500mm	BLUE
10	WIRE, 16 AWG, UL1015, PVC, 600V, 105C, YELLOW	ANY THAT MEET DESCRIPTION		500mm	YELLOW
11	CABLE TIE	ANY THAT MEET DESCRIPTION		2	-



PIN No.	COLOR	DESCRIPTION	PIN No.
1	RED	POWER	1
2	BLACK	GROUND	2
3	RED	PHASE "U"	5
4	BLUE	PHASE "V"	3
5	YELLOW	PHASE "W"	4

- NOTES:
1. ALL DIMENSIONS ARE MEASURED WITH CABLES LAID STRAIGHT.
 2. CONNECTION BETWEEN WIRE & TERMINAL MUST WITHSTAND A 4kg. PULL TEST.
 3. ALL STRANDS MUST BE CONTAINED BY TERMINALS.
 4. MASTERFLUX PART NUMBER AND REVISION MUST BE MARKED ON ASSEMBLY.
 5. MAXIMUM CURRENT OF ASSEMBLY IS 30 AMPS.
 6. ASSEMBLE CABLE IN ACCORDANCE WITH THE LATEST IPC/WHMA-A-620 STANDARDS.
 7. FOR SUPPLIER ENVIRONMENTAL REGULATORY REQUIREMENTS, SEE T.P.Co. GLOBAL SPEC. 08.
 8. ALL DIMENSION ARE IN METRIC
 9. PVC TUBING MUST USE UL SPECIFICATIONS.



METRIC

Q.A. SYMBOLS

- ★ = CATEGORY I
- ▲ = CATEGORY II
- = CATEGORY III
- = CATEGORY IV

MESA

REL	EC96404	CHANGE	DATE	----
<small>THIS DRAWING OR PRINT IS THE PROPERTY OF MASTERFLUX, INC. AND CONTAINS INFORMATION AND DATA WHICH IS NOT TO BE REPRODUCED OR DISCLOSED TO ANY OTHER PARTY WITHOUT THE WRITTEN CONSENT OF MASTERFLUX, INC. ANY UNAUTHORIZED REPRODUCTION OR DISCLOSURE OF THIS INFORMATION IS STRICTLY PROHIBITED. THE USER SHALL BE RESPONSIBLE FOR OBTAINING ALL NECESSARY PERMITS AND APPROVALS FROM THE APPROPRIATE AUTHORITIES. THIS DRAWING IS THE PROPERTY OF MASTERFLUX, INC. AND IS NOT TO BE REPRODUCED OR DISCLOSED TO ANY OTHER PARTY WITHOUT THE WRITTEN CONSENT OF MASTERFLUX, INC. ANY UNAUTHORIZED REPRODUCTION OR DISCLOSURE OF THIS INFORMATION IS STRICTLY PROHIBITED. THE USER SHALL BE RESPONSIBLE FOR OBTAINING ALL NECESSARY PERMITS AND APPROVALS FROM THE APPROPRIATE AUTHORITIES.</small>				
DWN. RDS 08MAR17		CHK & APR ON FILE	SCALE 1=1 & NOTED	THIS PRINT SUPERSEDES ALL PRINTS PRIOR TO
MATERIAL NOTED			DWG NO. 040F0284	
DESCRIPTION CABLE, HARNESS, COMPRESSOR POWER, MESA, 48V				MESA