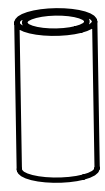
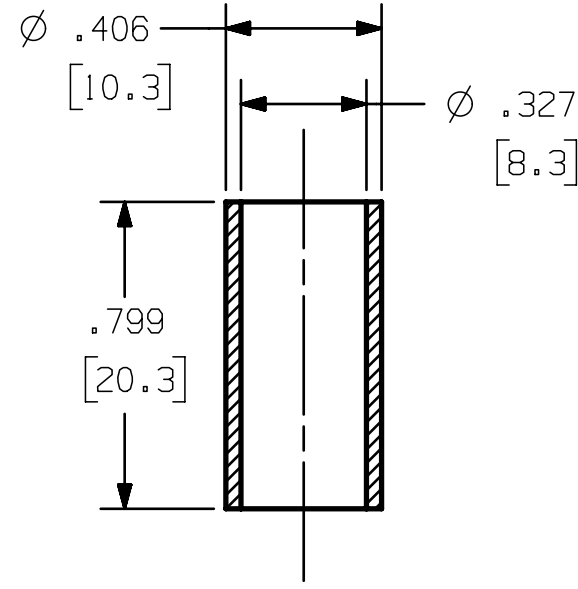
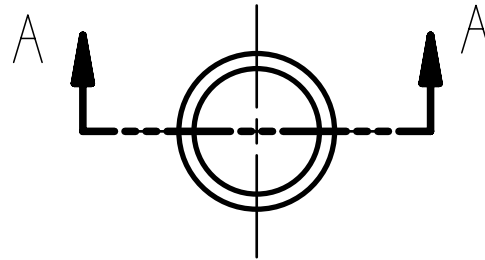


DWG NO.
122-10202



ENGLISH

Q.A. SYMBOLS

- ★ = CATEGORY I
- ▲ = CATEGORY II
- = CATEGORY III
- = CATEGORY IV

NOTE:
 1. ALL DIMENSIONS ARE FOR REFERENCE ONLY
 2. MUST BE CLEAN AND FREE OF BURRS.
 3. FOR SUPPLIER ENVIRONMENTAL REGULATORY REQUIREMENTS, SEE T.P.Co. GLOBAL SPEC. 08.

ALL

REL		EC81381	CHANGE	----	DATE	THIS DRAWING OR PRINT (I) IS THE PROPERTY OF TECUMSEH PRODUCTS COMPANY (TECUMSEH) AND CONTAINS PROPRIETARY AND CONFIDENTIAL INFORMATION BELONGING TO TECUMSEH. (II) IS MADE AVAILABLE TO THE RECIPIENT ON THE EXPLICIT AND SPECIFIC CONDITION CONTAINED THEREIN OR DISCLOSED THEREIN SHALL BE WITHOUT THE EXPRESS AND WRITTEN CONSENT OF TECUMSEH AND THAT SUCH INFORMATION ONLY AS EXPRESSLY AND SPECIFICALLY APPROVED IN WRITING BY TECUMSEH AND NOT OTHERWISE. (III) SHALL NOT BE COPIED OR DUPLICATED IN ANY MANNER OR TO ANY EXTENT WITHOUT TECUMSEH'S PRIOR EXPRESS AND SPECIFIC WRITTEN CONSENT AND SHALL BE RETURNED BY THE RECIPIENT THEREOF TO TECUMSEH AT THE LATTER'S REQUEST PROMPTLY AFTER SUCH REQUEST IS MADE. DO NOT SCALE THIS DRAWING. ALL FERROUS MATERIALS MUST NOT BE MAGNETIZED AS RECEIVED OR AT COMPRESSOR ASSEMBLY.	DIS.CODE	DESCRIPTION			THIS PRINT SUPERSEDES ALL PRINTS PRIOR TO DWG NO. 122-10202
REV/LOC							DWN. RDS 15NOV17	CHK & APR ON FILE	SCALE 2=1 & NOTED	SLEEVE	
							TECUMSEH PRODUCTS CO. ANN ARBOR, MICHIGAN				
							MATERIAL COLD ROLLED STEEL - SPCC				