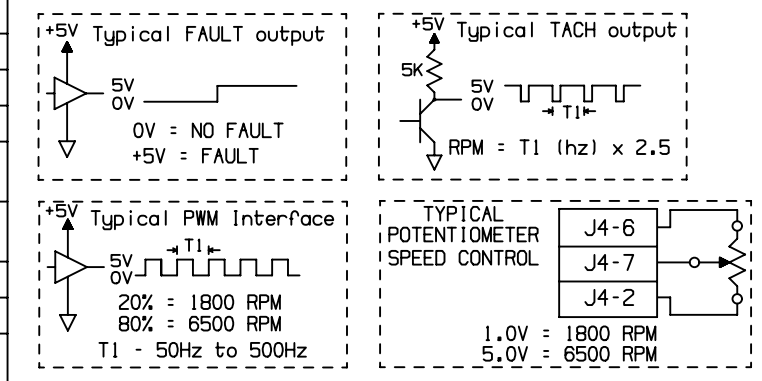


| J4 PIN | FUNCTION |
|--------|--|
| 1 | N.C. |
| 2 | GROUND |
| 3 | GROUND |
| 4 | DIGITAL SPEED INPUT (PWM) VIL = 0.8V MAX, VIH = 4.0 MIN, IIH = 5uA MAX |
| 5 | TACHOMETER OUTPUT, 0 - 5V PULSE FREQUENCY INDICATES MOTOR SPEED, RPM 0.25 * HZ |
| 6 | +5V OUTPUT, 50mA MAX |
| 7 | ANALOG SPEED INPUT, 0 - 5V |
| 8 | FAULT OUTPUT, - 5V OUTPUT, 0V = NO FAULT, 5V = FAULT, CURRENT 10mA MAX. |



| SLAVE CONTROLLER | PI | FUNCTION |
|------------------|----|----------|
| | 1 | N.C. |
| | 2 | RX |
| | 3 | TX |
| | 4 | N.C. |
| | 5 | GROUND |
| | 6 | N.C. |
| | 7 | N.C. |
| | 8 | N.C. |
| | 9 | N.C. |

| PI | FUNCTION |
|----|----------|
| 1 | N.C. |
| 2 | RX |
| 3 | TX |
| 4 | N.C. |
| 5 | GROUND |
| 6 | N.C. |
| 7 | N.C. |
| 8 | N.C. |
| 9 | N.C. |

- NOTES:
- ASSEMBLE PARTS AS SHOWN.
 - COMPRESSOR GROUND HOLE LOCATED IN THE MOUNTING FEET OF THE COMPRESSOR.
 - GROUND SCREW IS NOT PROVIDED BY MASTERFLUX.
 - SPEED COMMAND IS ONLY CONNECTED TO THE MASTER CONTROLLER.
5. THREADED TERMINAL CONNECTIONS
- TORQUE #10-32 TERMINAL SCREWS TO 12-18 IN-LBS.
 - TORQUE M5 TERMINALS SCREWS TO 1.5-2.2 N-m
 - TERMINAL SCREWS NOT PROVIDED WITH COMPRESSOR.
 - FOR ALTERNATE WIRING CONFIGURATIONS SEE DEMX0045.

| | | | | |
|----|----|--------|--|----------------|
| LT | LC | CHANGE | DATE | DESCRIPTION |
| B | A | REL | EC79528 19JUL17 UPDATED VIEWS | RDS ON FILE |
| | | | EC68380 130CT15 UPDATE TO CLARIFY WIRING | RDS ON FILE |
| | | | EC54318 --- | --- |

THIS DRAWING OR PRINT (L1) IS THE *
 PROPRIETARY AND CONFIDENTIAL ASSESS-
 MENT OF THE COMPANY AND CONTAINS
 INFORMATION THAT IS UNLAWFULLY
 DISCLOSED OR MADE AVAILABLE TO
 OTHERS WITHOUT THE WRITTEN CONSENT OF
 THE COMPANY. ANY SUCH INFORMATION
 DISCLOSED OR MADE AVAILABLE TO
 OTHERS WITHOUT THE WRITTEN CONSENT OF
 THE COMPANY IS STRICTLY CONFIDENTIAL AND
 IS TO BE USED ONLY FOR THE PURPOSES
 SPECIFICALLY WRITTEN CONSENT AND (1V)
 TRANSMITTED BY TELEPHONE AND (1V)
 THEREOF TO THE TECHNICAL SUPPORT
 REPRESENTATIVE OF THE COMPANY.

DO NOT SCALE THIS
 DRAWING. ALL FERROUS
 MATERIALS MUST BE
 WASHED AND
 RECEIVED OR AT
 COMPRESSOR ASSEMBLY.

DWG NO. DEMX0041

ENGLISH

Q.A. SYMBOLS

- ★ = CATEGORY I
- ▲ = CATEGORY II
- = CATEGORY III
- = CATEGORY IV

DRAWING, SALES, CONTROLLER,
 ELECTRICAL, E-CLASS, DUAL

DWN: RDS
 24SEP13

CK. ON FILE

APR. ON FILE

SCALE 1=1 &
 NOTED

THIS PRINT SUPERSEDES
 ALL PRINTS PRIOR TO

MASTERFLUX

DWG NO. DEMX0041