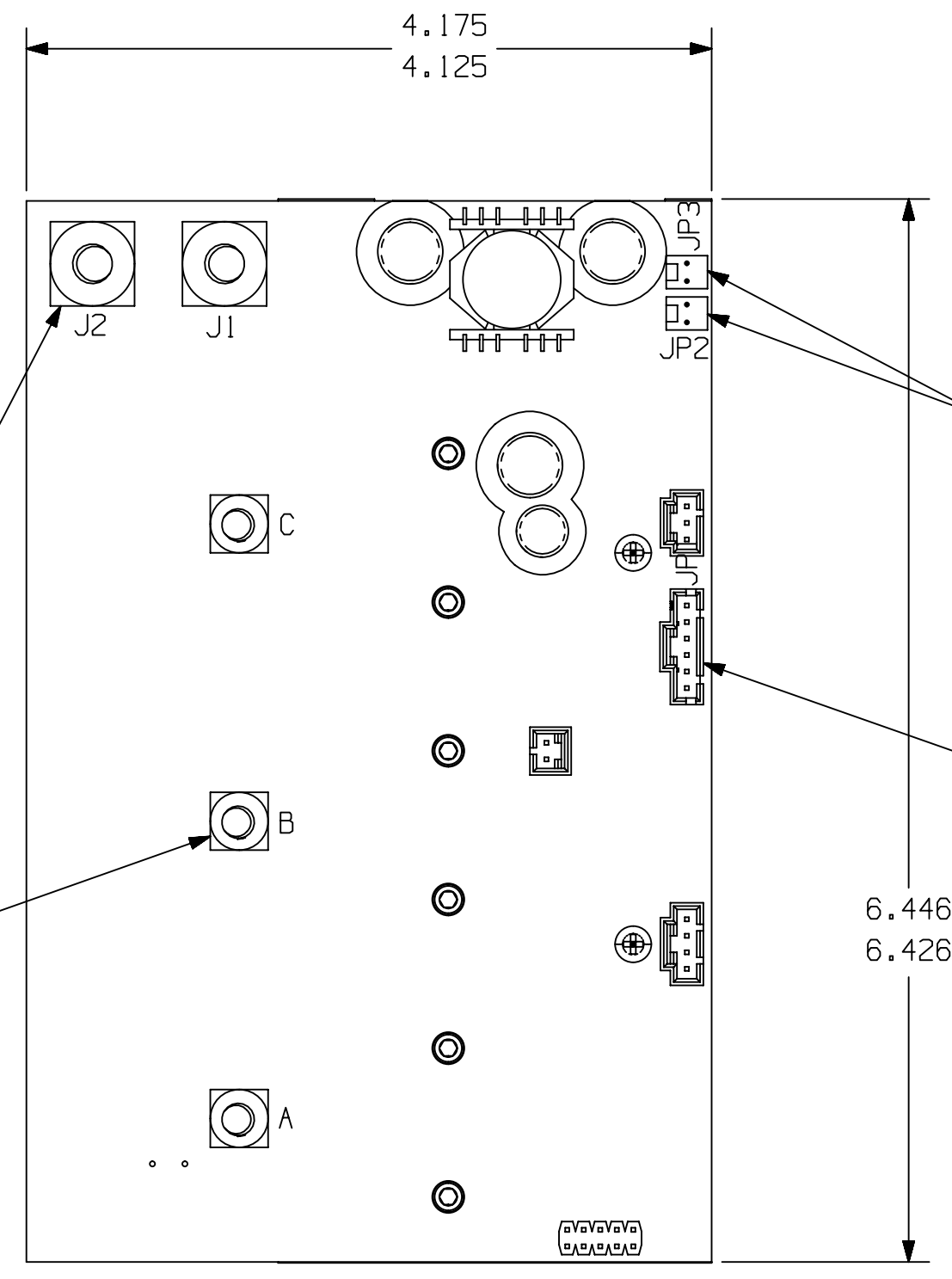


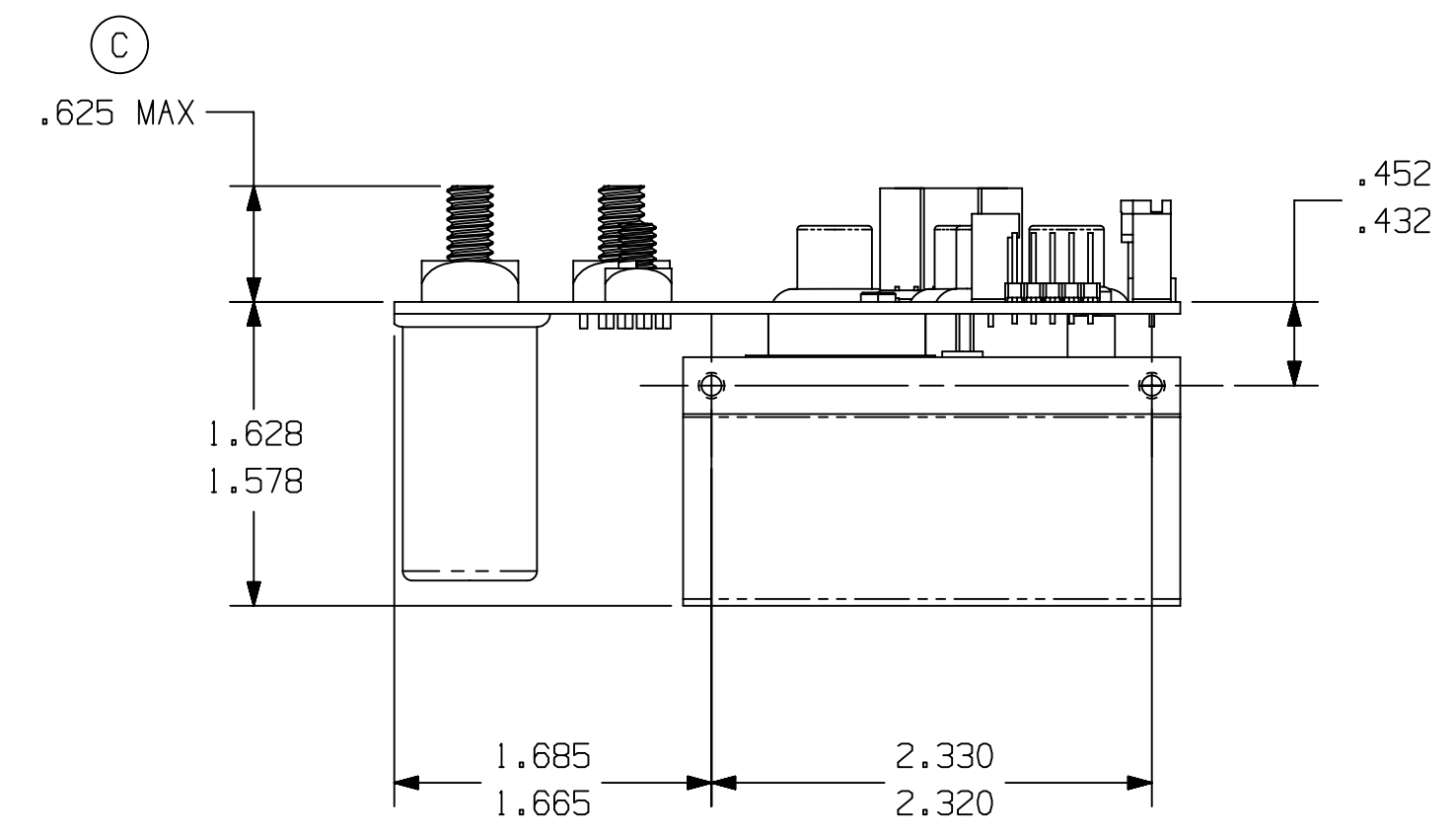
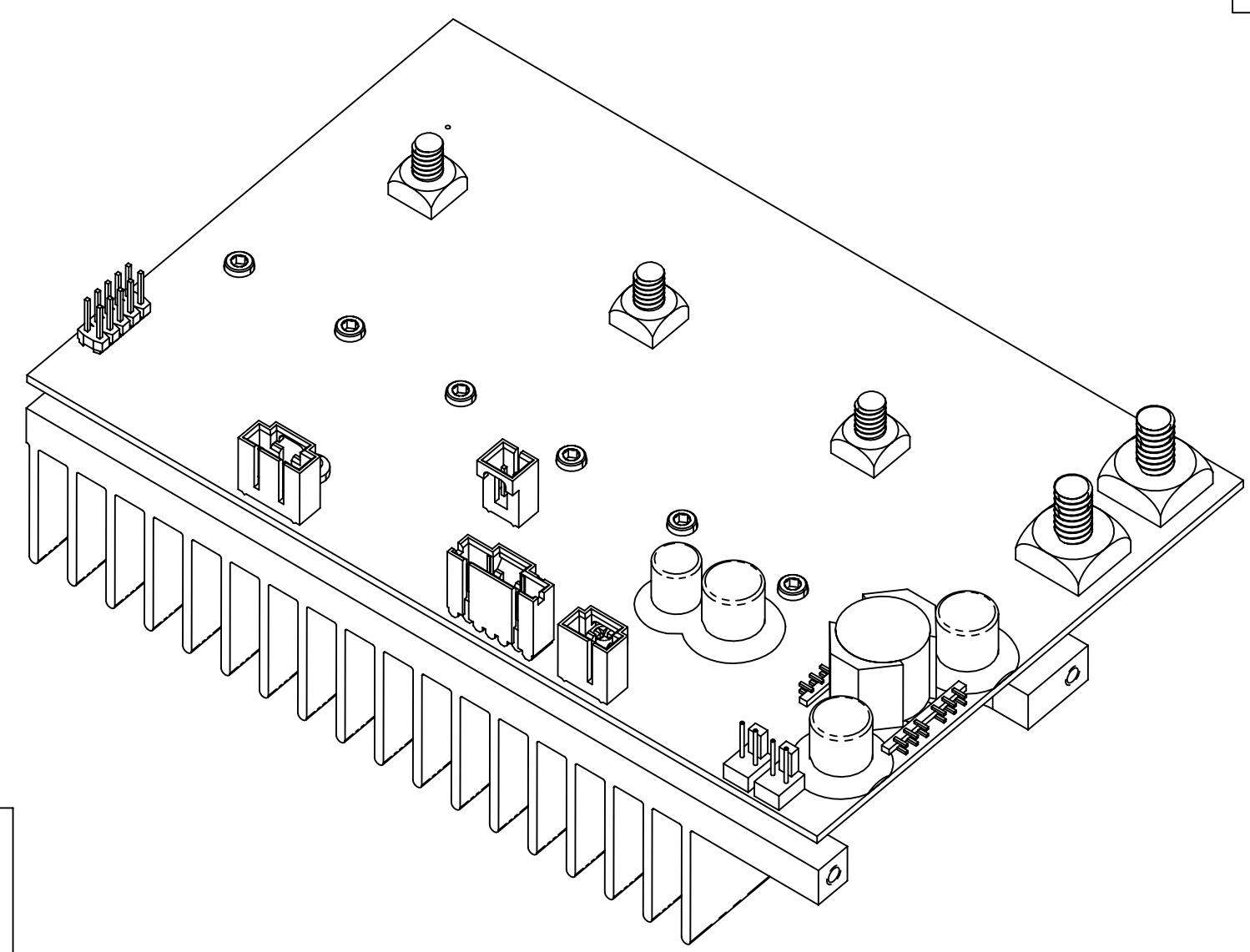
PRESS-FIT CONNECTOR
 WURTH ELECTRONIC
 7461098
 2 PLCS, J1, J2
 M6 THREAD
 USE LOCKWASHER
 35 IN-LBS ±2 IN-LBS

PRESS-FIT CONNECTOR
 WURTH ELECTRONIC
 7461383
 3 PLCS, A, B, C
 M5 THREAD
 USE LOCKWASHER
 20 IN-LBS ±2 IN-LBS



AUXILLARY FAN CONNECTORS
 HEADER, 2 PIN, STRAIGHT FRICTION
 LOCK CONNECTOR
 AMP P/N 640456-2
 2 PLCS

CONTROLLER INTERFACE CONNECTOR
 HEADER, 6 PIN, RoHS
 AMP/TYCO 5-103639-5



ASSOCIATED CONTROLLERS: 025F0095
 025F0298
 025F0378

ENGLISH

Q. A. SYMBOLS

- ★ = CATEGORY I
- ▲ = CATEGORY II
- = CATEGORY III
- = CATEGORY IV

MASTERFLUX

EC91750 ADDED 025F0298 & 025F0378 14AUG19		RDS 05APR16		RDS 09DEC14		DATE		THIS DRAWING OR PRINT (1) IS THE PROPERTY OF MASTERFLUX AND CONTAINS INFORMATION BELONGING TO MASTERFLUX. IT IS TO BE KEPT IN CONFIDENTIALITY AND NOT TO BE REPRODUCED OR DISCLOSED TO ANY OTHERS WITHOUT THE EXPRESS AND WRITTEN CONSENT OF MASTERFLUX. SPECIFIC INFORMATION IS IDENTIFIED AS UNCLASSIFIED AND NOT FOR DISSEMINATION TO OTHERS WITHOUT THE EXPRESS AND WRITTEN CONSENT OF MASTERFLUX. PRIOR TO DISSEMINATION, THE RECIPIENT SHALL BE REQUIRED TO SIGN AND RETURN A CONFIDENTIALITY AGREEMENT. IF SUCH REQUEST IS MADE.		DIS. CODE		NAME DRAWING, SALES, SIERRA, 12/24V							
EC71269 CORRECTED TORQUE VALUES		EC62932 CORRECTED MFG PART NUMBER		EC18503		CHANGE		DATE		DWN. SP 30MAY08		CK. ON FILE		APR. ON FILE		SCALE 1:1 & NOTED		THIS PRINT SUPERSEDES ALL PRINTS PRIOR TO	
1B		5D		2E		REL		MATERIAL		NOTED		DRAWING NO. DGMX0022							