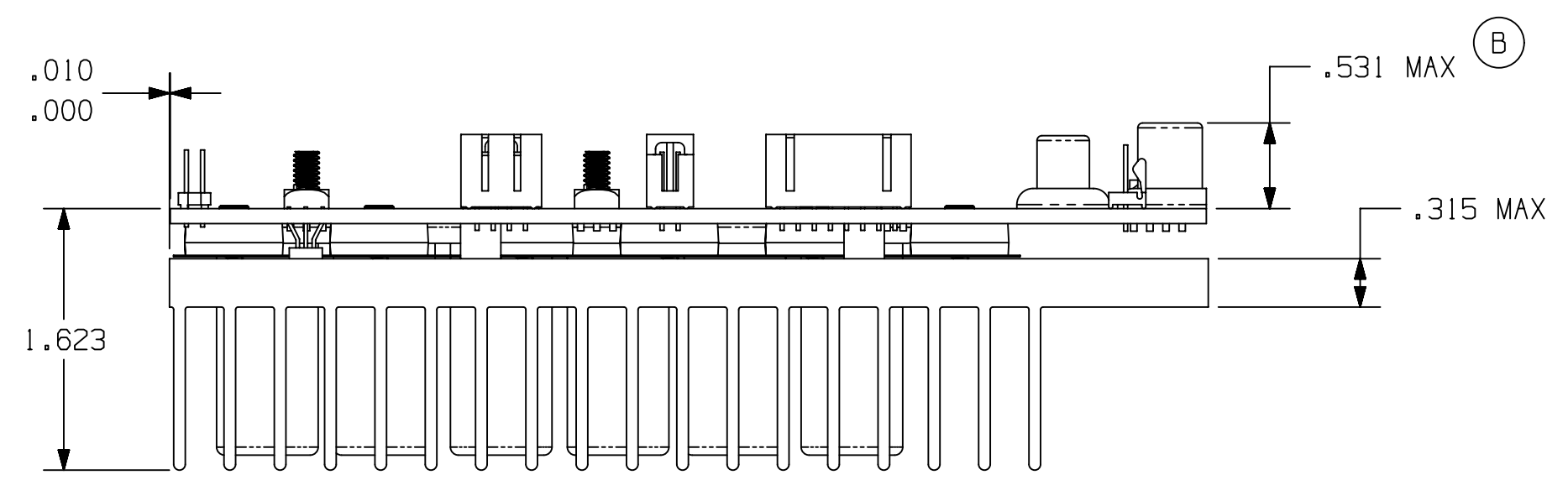
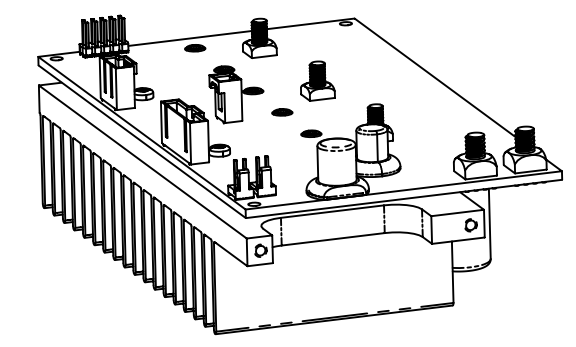


TWO OPTIONS FOR
HEAT SINK CONFIGURATION.
FOR ADDITIONAL INFORMATION
CONTACT MASTERFLUX SALES



- NOTES:
- 1. M4 THREADED STUD, TORQUE TO 10-12 IN-LBS.
 - 2. M5 THREADED STUD, TORQUE TO 20-22 IN-LBS.
 - 3. MUST COMPLY WITH T.C.Co. GLOBAL SPEC 08.

ENGLISH

Q.A. SYMBOLS

- ★ = CATEGORY I
- ▲ = CATEGORY II
- = CATEGORY III
- = CATEGORY IV

MX

| | | | | | | | | | | | | | |
|--|--|---|--|--|--|----------------|--|-------------|--|----------|--|--|--|
| EC95596 RDS ADDED 08/APR/20 ALTERNATE HEAT SINK | | EC92389 RDS CORRECTED DIMS 10/SEP/19 6D UPDATED DESC | | EC30244 SP WAS 5-103693-5 NOTES 1 & 2 06/JAN/10 4C CHANGED | | REL EC29648 | | DATE --- | | DIS.CODE | | PART NAME DRAWING, SALES, 24/48VDC, NON-FLANGED, SIERRA | |
| C | | B | | A | | REL | | DATE | | DIS.CODE | | DWN. SP 04DEC09 | |
| C | | B | | A | | REL | | DATE | | DIS.CODE | | CK. ON FILE | |
| C | | B | | A | | REL | | DATE | | DIS.CODE | | APR. ON FILE | |
| C | | B | | A | | REL | | DATE | | DIS.CODE | | SCALE 1=1 & NOTED | |
| C | | B | | A | | REL | | DATE | | DIS.CODE | | MATERIAL NOTED | |
| C | | B | | A | | REL | | DATE | | DIS.CODE | | DWG NO. DGMX0033 | |
| C | | B | | A | | REL | | DATE | | DIS.CODE | | THIS PRINT SUPERSEDES ALL PRINTS PRIOR TO | |