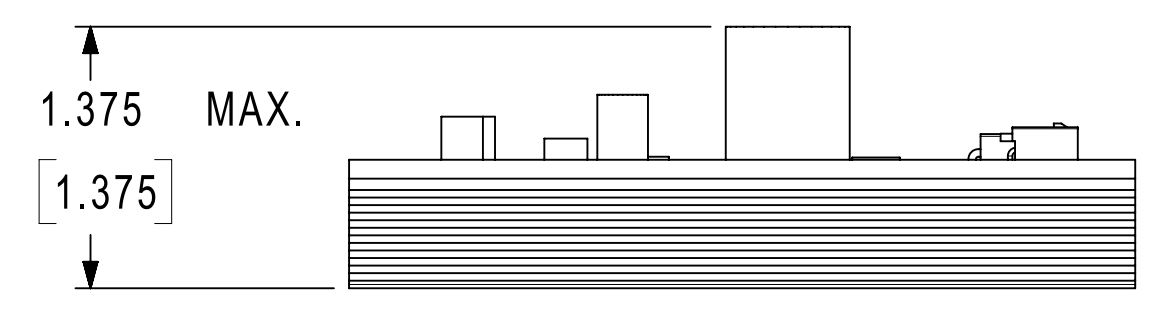
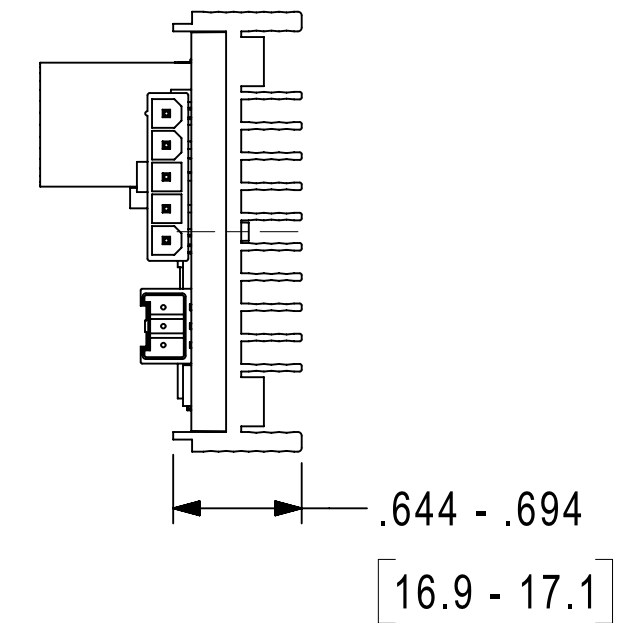


POWER IN AND COMPRESSOR POWER CONNECTOR (CN2)
 MATING CONNECTOR
 HOUSING - MOLEX PN 39-01-4051
 TERMINAL - MOLEX PN 39-00-0079

SIGNAL CONNECTOR (CN3)
 MATING CONNECTOR
 HOUSING - MOLEX PN 0511630300
 TERMINAL - 0503518000
 RETAINER - 0511640305

4x Ø .152 - .162 THROUGH
 [3.9 - 4.1]
 MOUNTING HOLES



ENGLISH

Q.A. SYMBOLS

- ★ = CATEGORY I
- ▲ = CATEGORY II
- = CATEGORY III
- = CATEGORY IV

MX - MESA

REL	EC0576	CHANGE	DATE	----	THIS DRAWING OR PRINT (1:1) IS THE PROPERTY OF MESA ELECTRONIC COMPANY. IT IS THE PROPERTY OF MESA ELECTRONIC COMPANY AND IS NOT TO BE REPRODUCED OR TRANSMITTED IN ANY FORM OR BY ANY MEANS, ELECTRONIC OR MECHANICAL, INCLUDING PHOTOCOPYING, RECORDING, OR BY ANY INFORMATION STORAGE AND RETRIEVAL SYSTEM, WITHOUT THE WRITTEN CONSENT OF MESA ELECTRONIC COMPANY. ANY UNAUTHORIZED REPRODUCTION OR TRANSMISSION OF THIS DRAWING OR PRINT IS STRICTLY PROHIBITED. THE USER OF THIS DRAWING OR PRINT AGREES TO HOLD MESA ELECTRONIC COMPANY HARMLESS FROM AND AGAINST ALL SUCH REPRODUCTION OR TRANSMISSION. THIS DRAWING OR PRINT IS THE PROPERTY OF MESA ELECTRONIC COMPANY AND IS NOT TO BE REPRODUCED OR TRANSMITTED IN ANY FORM OR BY ANY MEANS, ELECTRONIC OR MECHANICAL, INCLUDING PHOTOCOPYING, RECORDING, OR BY ANY INFORMATION STORAGE AND RETRIEVAL SYSTEM, WITHOUT THE WRITTEN CONSENT OF MESA ELECTRONIC COMPANY. ANY UNAUTHORIZED REPRODUCTION OR TRANSMISSION OF THIS DRAWING OR PRINT IS STRICTLY PROHIBITED. THE USER OF THIS DRAWING OR PRINT AGREES TO HOLD MESA ELECTRONIC COMPANY HARMLESS FROM AND AGAINST ALL SUCH REPRODUCTION OR TRANSMISSION.	DIS. CODE	DESCRIPTION	DRAWING, SALES, CONTROLLER, MECHANICAL, MESA, 24/48 VDC			THIS PRINT SUPERSEDES ALL PRINTS PRIOR TO DWG NO. DGMX0089
	LT	LC	DATE	----		DWN RDS 19SEP17 CK. ON FILE APR. ON FILE SCALE 1=1 & NOTED	MATERIAL NOTED	THIS PRINT SUPERSEDES ALL PRINTS PRIOR TO			