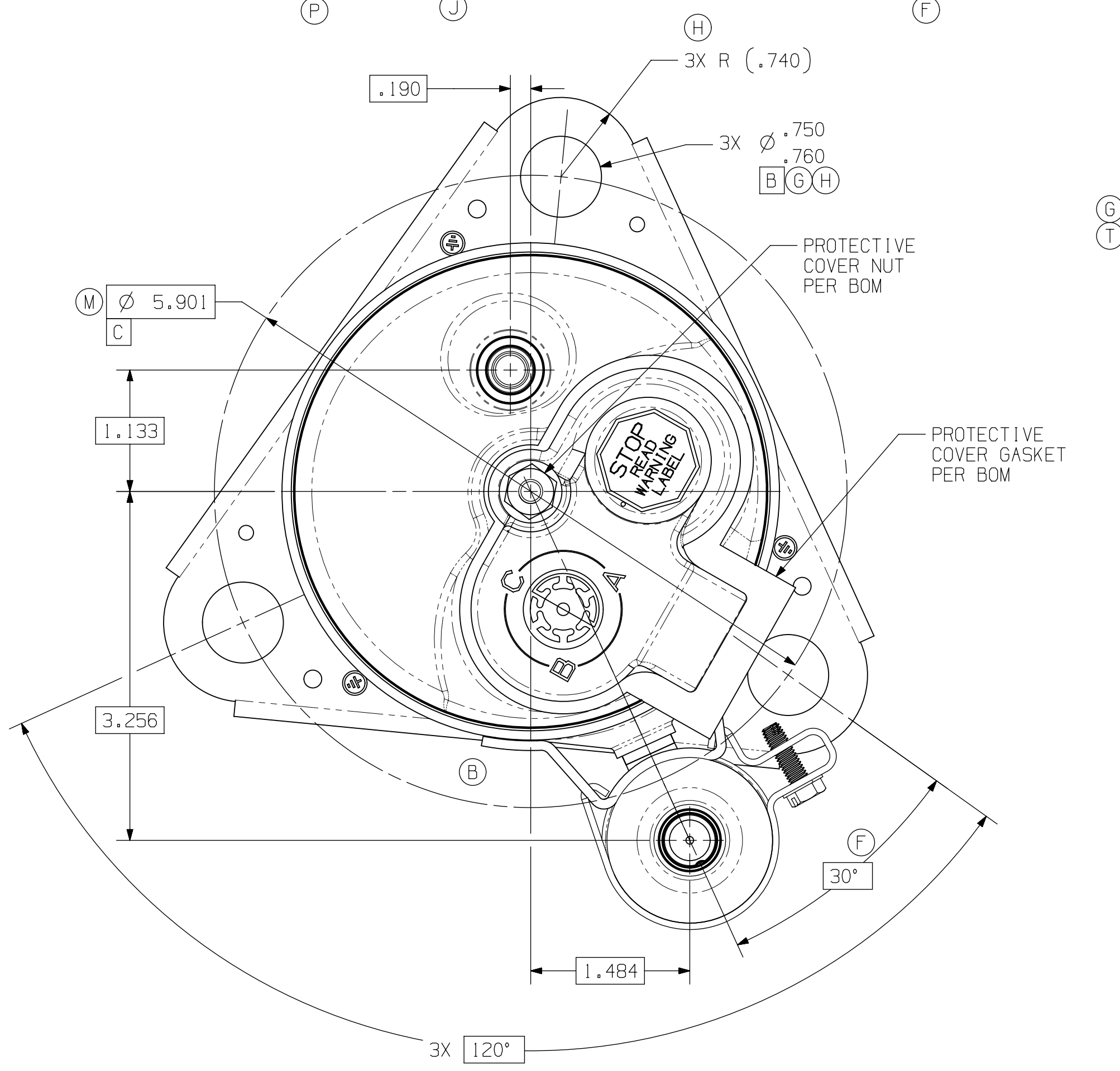


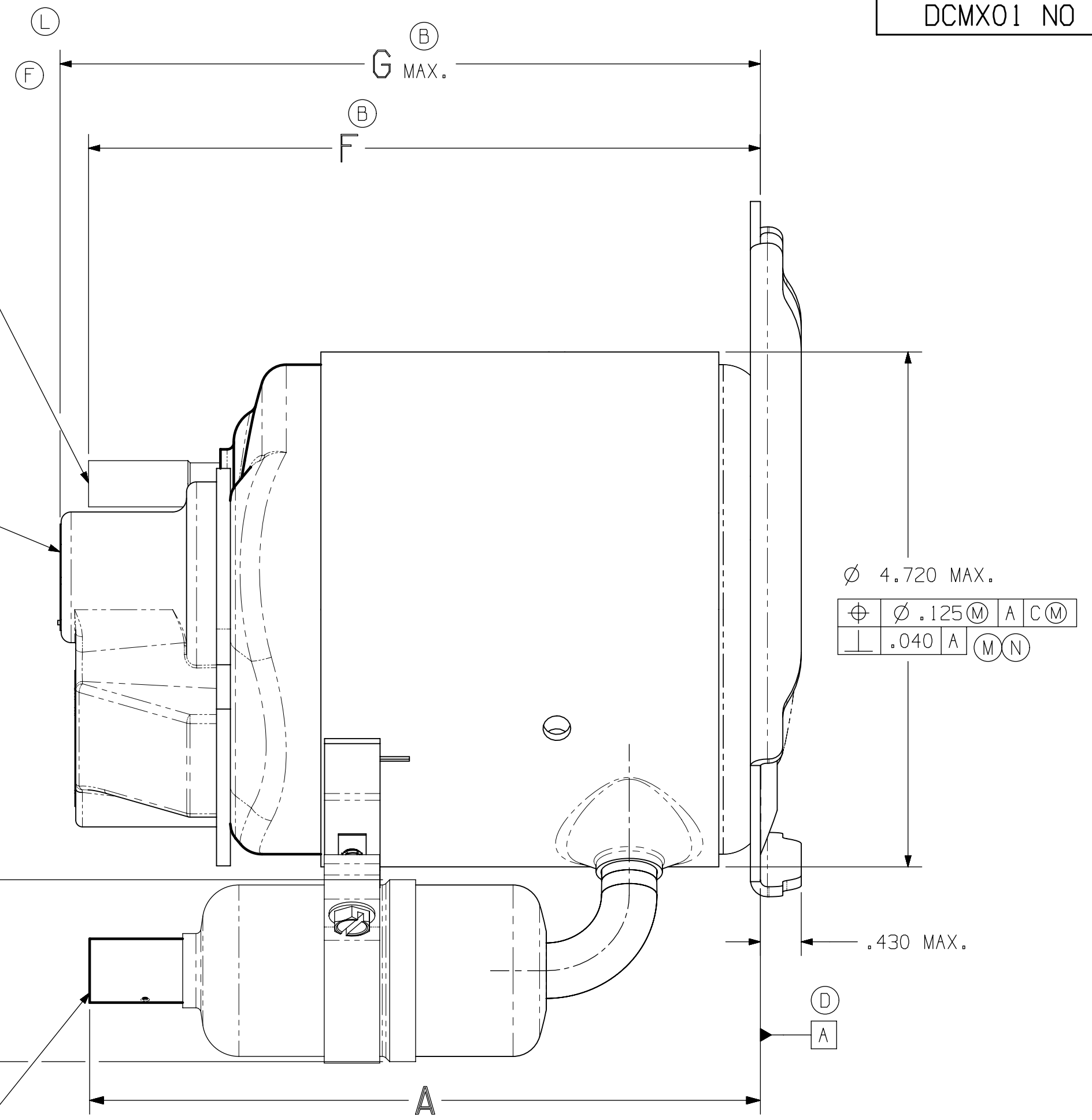
DRAWING NUMBER	COMPRESSOR MODEL	A	B	C	D	F	G
DCMX01-002	SIERRAXX-0434XX	5.957 - 6.157	.377 - .384	.430 - .500	1.663 MAX	5.908 - 6.048	6.415 MAX.
DCMX01-004	SIERRAXX-0982XX	5.957 - 6.157	.502 - .509	.430 - .500	1.663 MAX	6.889 - 7.029	7.396 MAX.
DCMX01-005	SIERRA10-0982XX	5.957 - 6.157	.502 - .509	.430 - .500	1.663 MAX	6.889 - 7.029	7.523 MAX.

DRAWING NO. DCMX01 NO



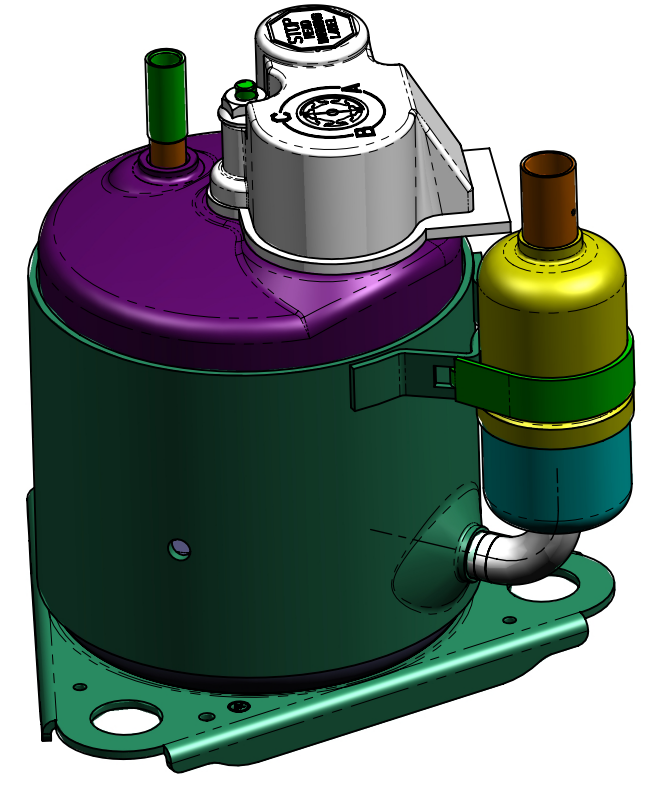
DISCHARGE - COPPER  
I.D. .315-.322  
x .865-.885 DEEP

⊕	∅ .250 (M)	A	B (M)
⊥	.040	A	



SUCTON - COPPER  
I.D. B x C DEEP

⊕	∅ .200 (M)	A	B (M)
⊥	.040	A	



SCALE 1:2

MASTERFLUX - SIERRA

- NOTE:
1. PROTECTIVE COVER GASKET, PROTECTIVE COVER, AND PROTECTIVE COVER NUT ASSEMBLED IF CALLED FOR ON BILL OF MATERIAL.
  2. MUST COMPLY WITH T.C.Co. GLOBAL SPEC 08.
  3. TERMINAL COVER MOUNTING STUD THREADS MUST BE FREE OF PAINT.
  4. TORQUE TERMINAL COVER NUT TO 15-20 IN-LBS.

ENGLISH

Q.A. SYMBOLS

- ★ = CATEGORY I
- ▲ = CATEGORY II
- = CATEGORY III
- = CATEGORY IV

REV	DATE	BY	CHKD	APPD	SCALE	THIS PRINT SUPERSEDES ALL PRINTS PRIOR TO
1	04OCT19	BD			1:1 & NOTED	
2	02JUL18	RDS				
3	07MAY15	RDS				
4	15OCT10	SP				
5	30MAY10	SP				
6	20JAN10	SP				
7	13JAN10	SP				
8	02MAR09	SP				
9	05DEC08	SP				
10	24FEB04	DREEVES				
11	21OCT03	DREEVES				
12	08APR03	A.S.C.				
13	30JUL02	REEVES				
14	02MAY02	A.S.C.				
15	--	--				

SALES COMPRESSOR

MASTERFLUX

DCMX01 NO