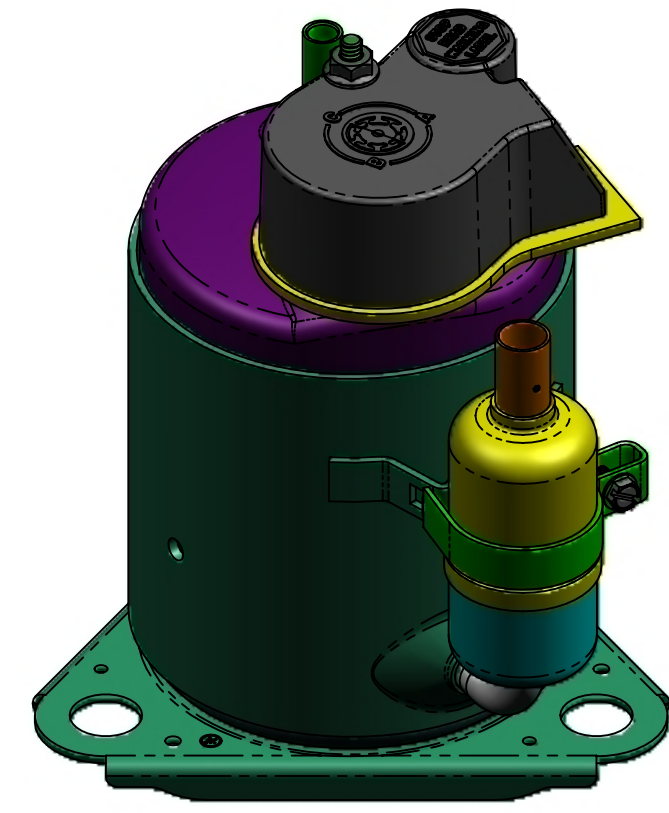
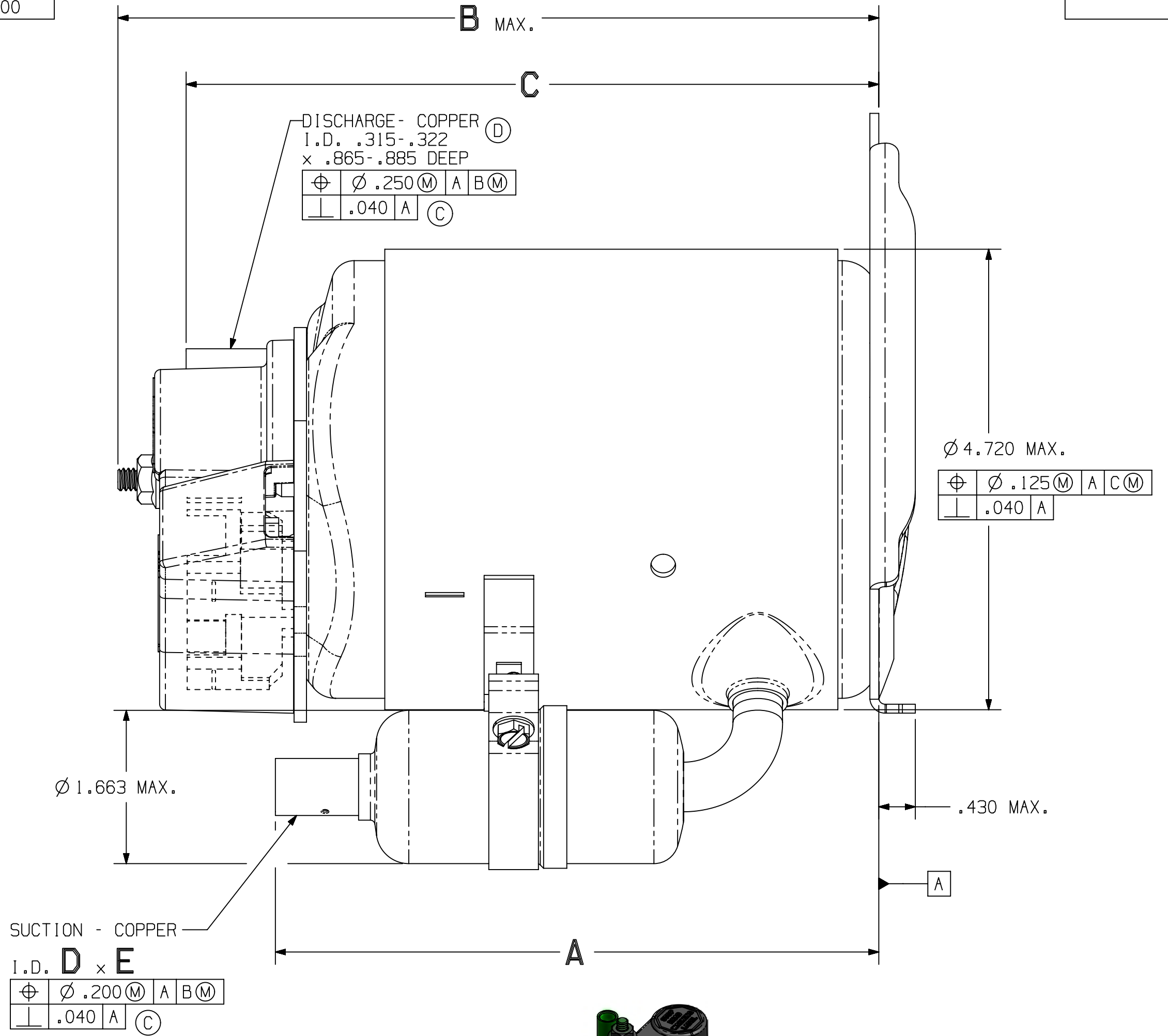
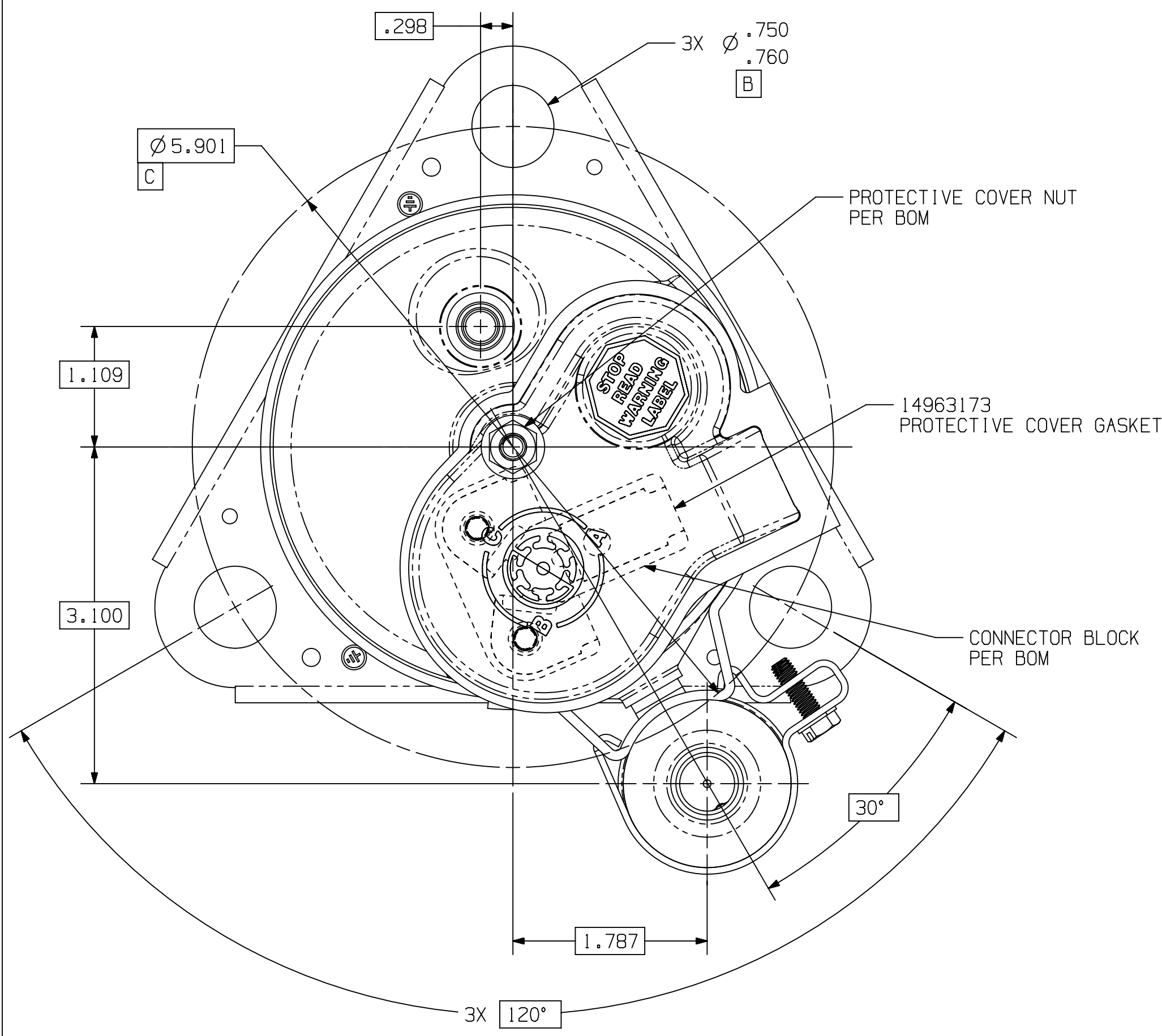


DRAWING NUMBER	COMPRESSOR MODEL	A	B	C	D	E
DCMX33-001	SIERRAXX-0434XX	5.856-6.256	6.749	5.775-6.175	.377-.384	.430-.500
DCMX33-002	SIERRAXX-0982XX	5.856-6.256	7.730	6.756-7.156	.502-.509	.430-.500

DWG NO.  
DCMX33 NO



SCALE 1:2 MASTERFLUX - SIERRA

- NOTES:
1. PROTECTIVE COVER, PROTECTIVE COVER GASKET AND PROTECTIVE COVER NUT ASSEMBLED IF CALLED FOR ON BILL OF MATERIAL.
  2. TERMINAL COVER MOUNTING STUD THREADS MUST BE FREE OF PAINT.
  3. TORQUE TERMINAL COVER NUT TO 15-20 IN-LBS.
  - ▲ 4. MUST COMPLY WITH T.C.Co. GLOBAL SPEC 08.

LT	LC	CHANGE	DATE	DESCRIPTION
REL	EC63137	EC63137	02NOV15	EC63137
A	---	ADDED	02NOV15	NOTE #3
B	---	ADDED	02FEB16	EC70089
C	---	MODIFIED	04OCT19	EC92471
D	---	CORRECTED	06APR21	EC100635

<p>THIS DRAWING OR PRINT (1:1) IS THE PROPERTY OF SIERRA AND CONTAINS PROPRIETARY AND CONFIDENTIAL INFORMATION. IT IS TO BE KEPT IN CONFIDENTIALITY AND IS NOT TO BE REPRODUCED, COPIED, OR TRANSMITTED IN ANY FORM OR BY ANY MEANS, ELECTRONIC OR MECHANICAL, INCLUDING PHOTOCOPYING, RECORDING, OR BY ANY INFORMATION STORAGE AND RETRIEVAL SYSTEM. WITHOUT THE WRITTEN CONSENT OF SIERRA, THIS DRAWING OR PRINT IS NOT TO BE USED FOR ANY OTHER PURPOSE. ANY UNAUTHORIZED USE OF THIS DRAWING OR PRINT IS PROHIBITED AND WILL BE SUBJECT TO LEGAL ACTION. THIS DRAWING OR PRINT IS THE PROPERTY OF SIERRA AND IS TO BE KEPT IN CONFIDENTIALITY AND IS NOT TO BE REPRODUCED, COPIED, OR TRANSMITTED IN ANY FORM OR BY ANY MEANS, ELECTRONIC OR MECHANICAL, INCLUDING PHOTOCOPYING, RECORDING, OR BY ANY INFORMATION STORAGE AND RETRIEVAL SYSTEM. WITHOUT THE WRITTEN CONSENT OF SIERRA, THIS DRAWING OR PRINT IS NOT TO BE USED FOR ANY OTHER PURPOSE. ANY UNAUTHORIZED USE OF THIS DRAWING OR PRINT IS PROHIBITED AND WILL BE SUBJECT TO LEGAL ACTION.</p>				<p>DO NOT SCALE THIS DRAWING. ALL FERROUS MATERIALS MUST BE WARMED UP AS RECEIVED OR AT COMPRESSOR ASSEMBLY.</p>
<p>SALES COMPRESSOR</p>				<p>THIS PRINT SUPERSEDES ALL PRINTS PRIOR TO</p>
<p>SCALE 1:1 &amp; NOTED</p>				<p>DWG NO. DCMX33 NO</p>
<p>NOTED</p>				<p>RECEIVED AT COMPRESSOR ASSEMBLY</p>

ENGLISH

Q.A. SYMBOLS

- ★ = CATEGORY I
- ▲ = CATEGORY II
- = CATEGORY III
- = CATEGORY IV