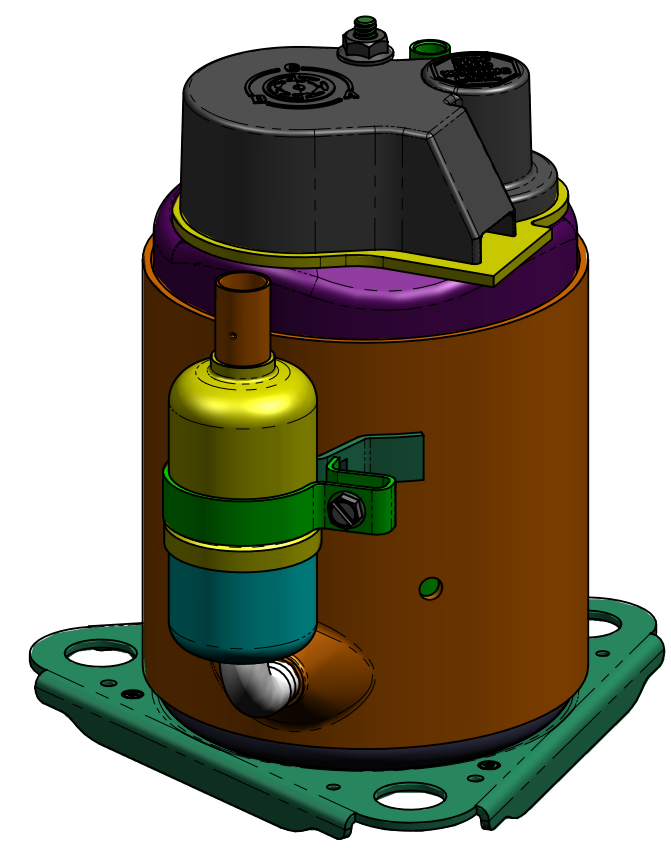
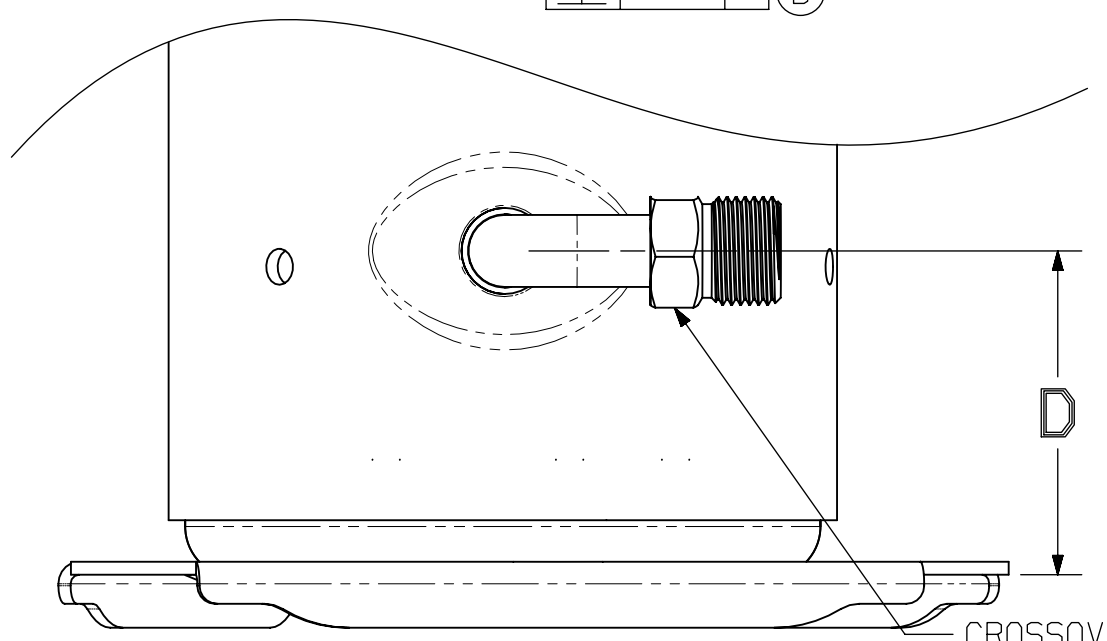
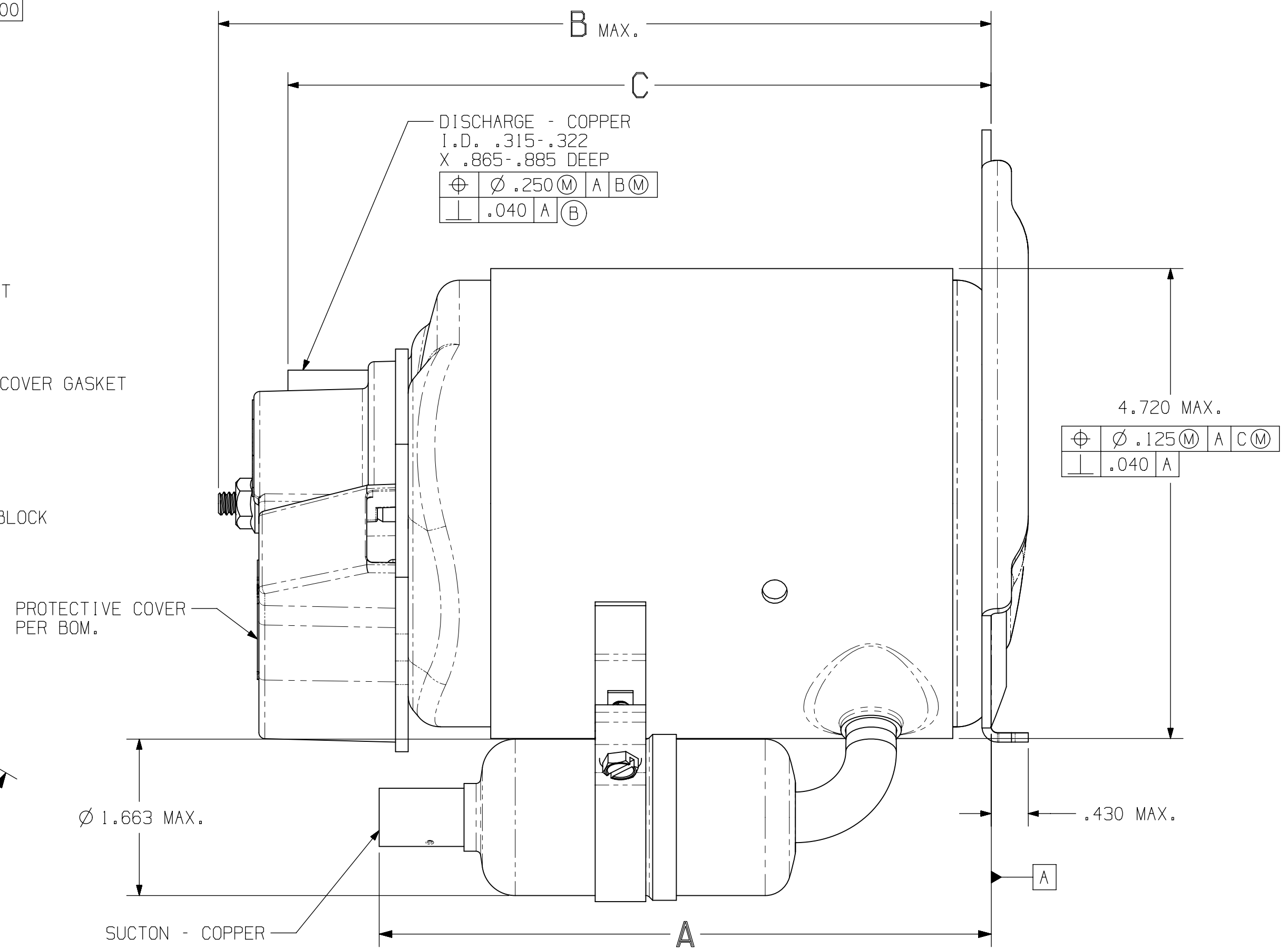
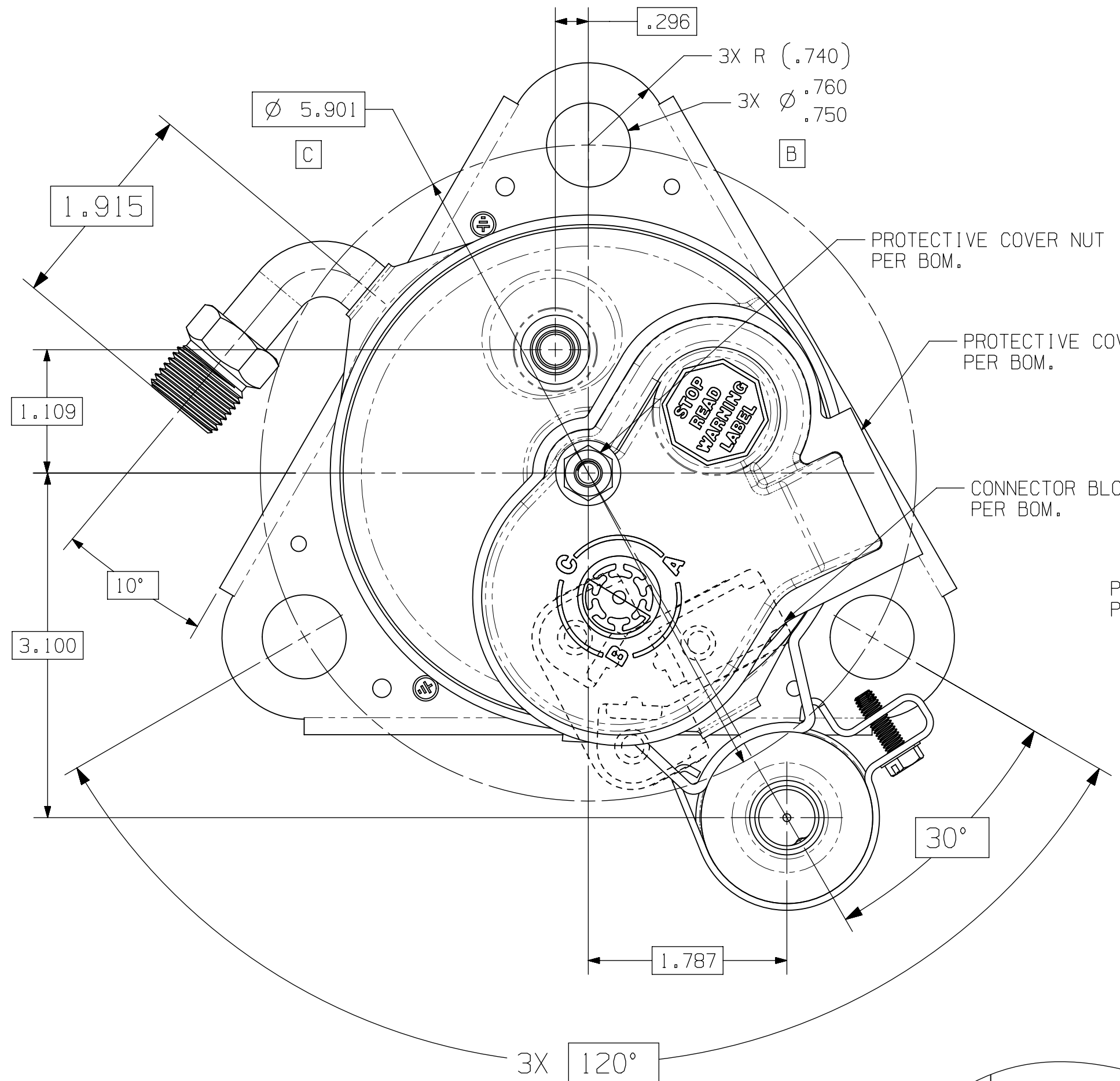


DRAWING NUMBER	COMPRESSOR MODEL	A	B	C	D	E	F
DCMX46-001	SIERRAXX-0434XX	5.856-6.256	6.749	5.775-6.175	1.747-2.147	.377-.384	.430-.500
DCMX46-002	SIERRAXX-0982XX	5.856-6.256	7.730	6.756-7.156	2.048-2.448	.502-.509	.430-.500

DRAWING NO. DCMX46 NO



- NOTES:
1. PROTECTIVE COVER GASKET, CONNECTOR BLOCK, PROTECTIVE COVER, AND PROTECTIVE COVER NUT ASSEMBLED IF CALLED FOR ON BILL OF MATERIAL.
  2. TERMINAL COVER MOUNTING STUD THREADS MUST BE FREE OF PAINT.
  3. TORQUE TERMINAL COVER NUT TO 15-20 IN-LBS.
  - ▲ 4. MUST COMPLY WITH T.C.Co. GLOBAL SPEC 08.

SCALE 1:2

MASTERFLUX - SIERRA

ENGLISH
Q.A. SYMBOLS
★ = CATEGORY I
▲ = CATEGORY II
■ = CATEGORY III
■ = CATEGORY IV

EC82474 ATP		BD 15NOV19		RDS 02JAN19		--		DATE		DIS.CODE		NAME		THIS PRINT SUPERSEDES ALL PRINTS PRIOR TO	
4F DISCHARGE NOTE MODIFIED		4C SUCTION NOTE MODIFIED		4B CROSSOVER NOTE MODIFIED		EC88208		A C6 CROSSOVER CALLOUT		REL EC82976		SALES COMPRESSOR		DWN. RDS 13FEB18	
B		A		REL		LT		LC		CHANGE		SCALE 1:1 & NOTED		DRAWING NO. DCMX46 NO	
DO NOT SCALE THIS DRAWING OR PRINT. IT IS THE PROPERTY OF MASTERFLUX AND CONTAINS INFORMATION BELONGING TO MASTERFLUX. RECIPIENT FOR THE EXPRESS AND SPECIFIC CONDITION THAT NEITHER IT THEREON OR DISCLOSED THEREIN SHALL BE REPRODUCED, COPIED, EITHER BY OTHERS WITHOUT THE EXPRESS AND SPECIFIC WRITTEN CONSENT OF MASTERFLUX. ANY REPRODUCTION OR DISSEMINATION OF THIS DRAWING OR PRINT WITHOUT THE EXPRESS AND SPECIFIC WRITTEN CONSENT OF MASTERFLUX SHALL BE HELD BY THE RECIPIENT TO BE UNLAWFUL. ANY RECIPIENT WHOSE REQUEST IS MADE.												MATERIAL NOTED		MASTERFLUX	