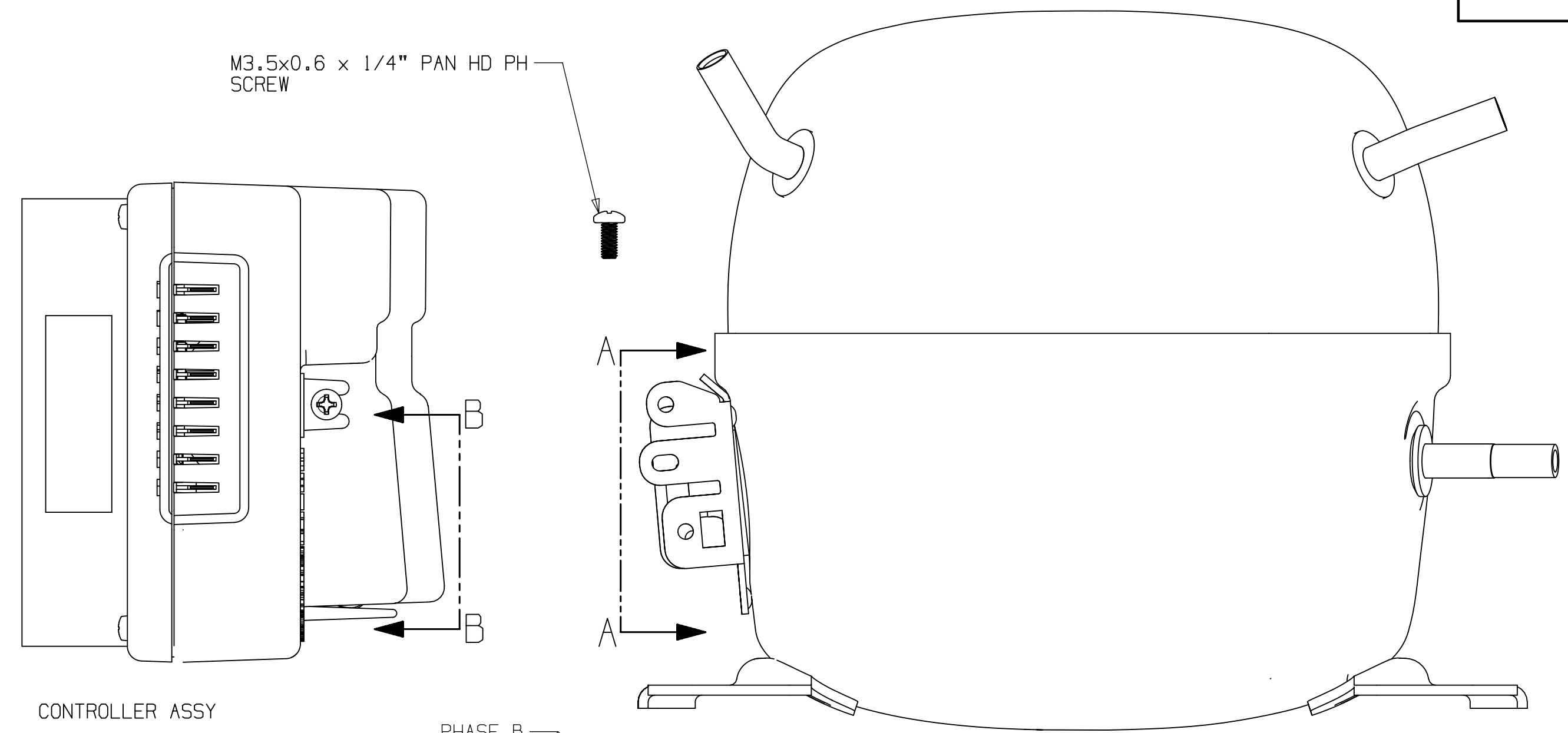
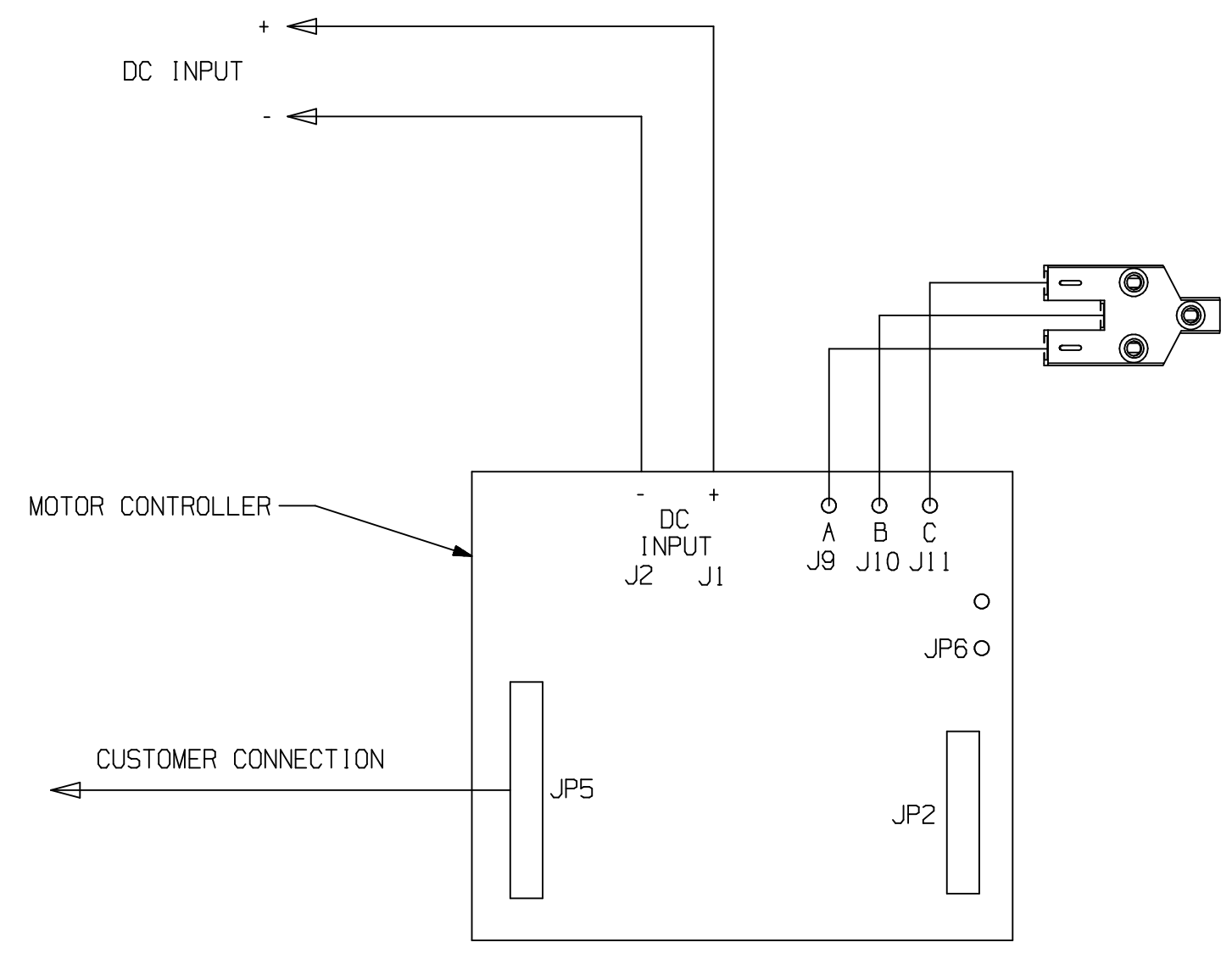


Optional Under Voltage Resistor Value				
Resistor Value (k)	12V Under Voltage	12V Resume	24V Under Voltage	24V Resume
0	*SOLAR*SOLAR		21.3	22.7
1.6	9.7	11.0	21.5	22.9
2.4	99	11.1	21.8	23.2
3.6	10.0	11.3	22.0	23.4
4.7	10.1	11.4	22.3	23.7
6.2	10.2	11.5	22.5	23.9
82	10.4	11.7	22.8	24.2
11	10.5	11.8	23.0	24.5
14	10.6	11.9	23.3	24.7
18	10.8	12.0	23.6	25.0
24	10.9	12.2	23.8	25.2
33	11.0	12.3	24.1	25.5
47	11.1	12.4	24.3	25.7
82	11.3	12.5	24.6	26.0
>120	9.6	10.9	21.3	22.7

Fixed Speed Resistor	
Resistor Value	Motor Speed RPM
200	1800
242	1900
287	2000
388	2200
510	2400
659	2600
847	2800
1090	3000
1.4K	4200
1.88K	3400
2.58K	3600
3.8K	3800
6.36K	4000
15.3K	4200

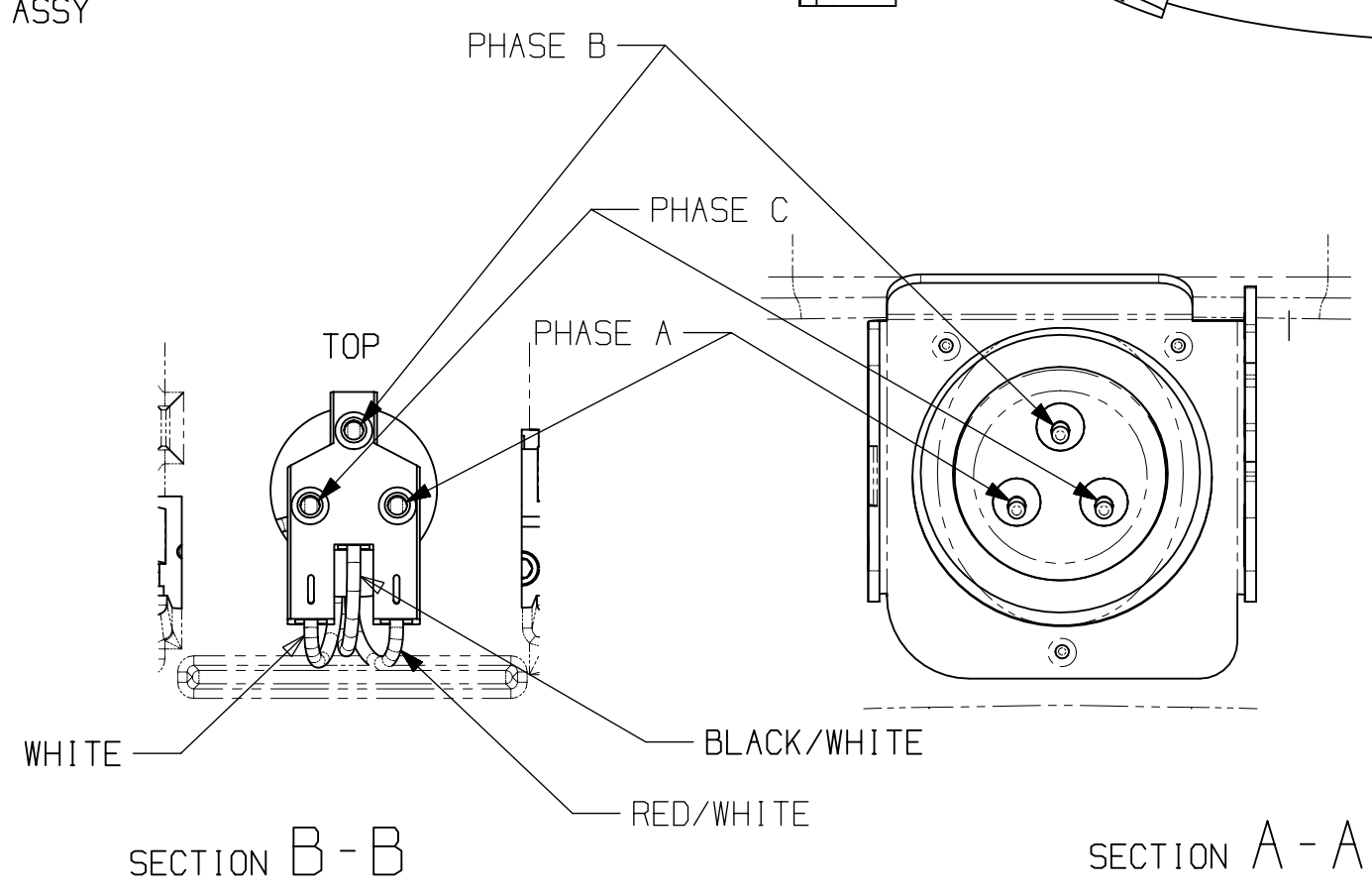
934960-806 \* SpeedDesired  
SpeedDesired - 4360

\*NOTE: WHEN UNDER VOLTAGE PIN IS CONNECTED TO GROUND THE CONTROLLER WILL USE DEFAULT 12V UNDER VOLTAGE (9.6V) AND DEFAULT 24V OVER VOLTAGE (31.5V).

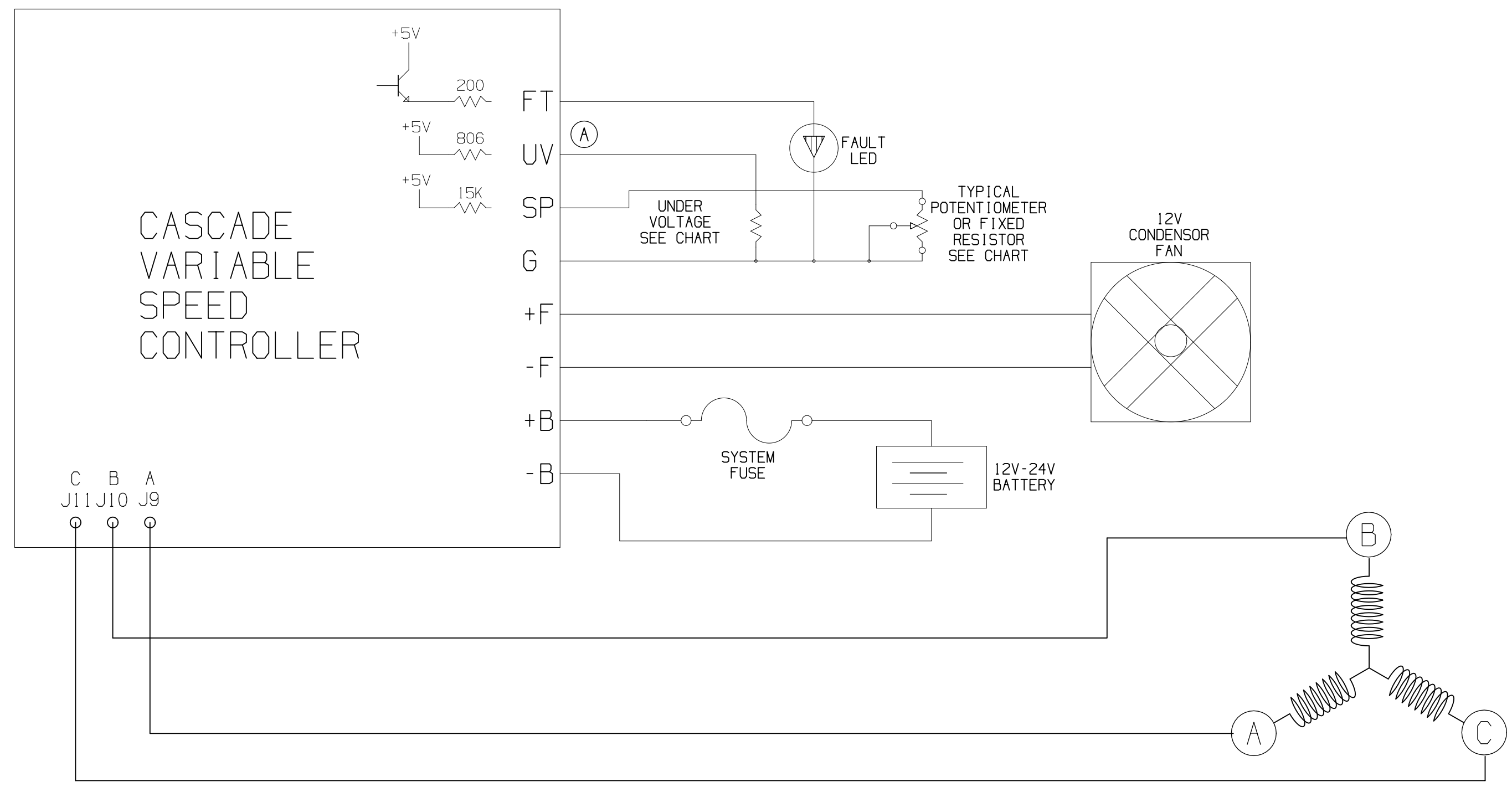


ASSEMBLY PROCEDURE

1. PRESS CONTROLLER CLUSTER BLOCK (SECTION B-B) ONTO THE COMPRESSOR 3 PIN TERMINAL (SECTION A-A).
2. ALIGN THE CONTROLLER ASSEMBLY OVER THE COMPRESSOR FENCE AND PRESS TOGETHER UNTIL IT SNAPS AND LOCKS.
3. INSERT M3.5x0.6 SCREW THRU HOLE IN HOUSING AND TORQUE TO 13 IN-LB ±1 IN-LB INTO FENCE.



**WARNING**  
WIRING DIAGRAM MUST BE FOLLOWED AS SHOWN. ANY MISWIRING CAN CAUSE SERIOUS ELECTRICAL HAZARD AND POTENTIAL DAMAGE OR RUPTURE OF COMPONENTS ELECTRICAL PARTS.



FT	FAULT OUTPUT
UV	UNDER VOLTAGE PROTECTION INPUT
SP	SPEED INPUT
G	GROUND
+F	FAN OUTPUT (+12V)
-F	FAN GROUND
+B	INPUT POWER POSITIVE
-B	INPUT POWER GROUND

- NOTE:
1. ASSEMBLE PARTS AS SHOWN IF SPECIFIED ON B/M.
  2. COMPRESSOR UNIT GROUND HOLE LOCATED IN THE MOUNTING FEET OF THE COMPRESSOR.
  3. GROUND SCREW IS NOT PROVIDED BY MASTERFLUX.

ENGLISH
O.A. SYMBOLS
★ = CATEGORY I
▲ = CATEGORY II
■ = CATEGORY III
□ = CATEGORY IV

<p>EC40361 A 12V MDCU 25JUL11</p>		<p>SP 25JUL11</p>		<p>DATE</p>		<p>DESCRIPTION</p>		<p>ELECTRICAL HOOKUP, STB</p>		<p>THIS PRINT SUPERSEDES ALL PRINTS PRIOR TO</p>	
<p>REL EC30647</p>		<p>DATE</p>		<p>DESCRIPTION</p>		<p>SCALE 1-1 &amp; NOTED</p>		<p>CK. ON FILE</p>		<p>DWG NO. DEMX0024</p>	
<p>MATERIAL</p>		<p>NOTED</p>		<p>DO NOT SCALE THIS DRAWING. MATERIALS MUST BE PREPARED FOR THE CUSTOMER'S USE.</p>		<p>APR. FILE</p>		<p>APR. FILE</p>		<p>APR. FILE</p>	