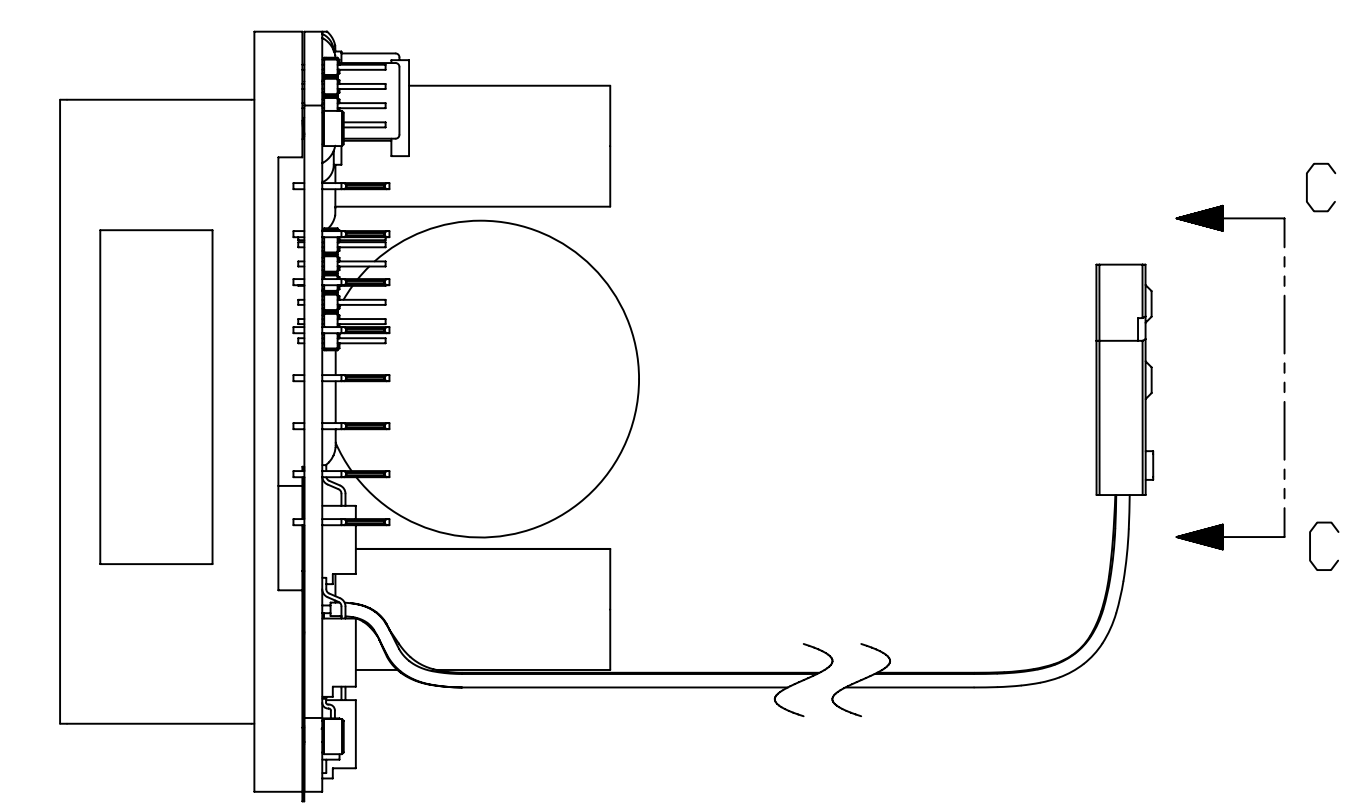


Optional under Voltage resister selection chart

Resistor value R2 [K Λ]	48V Under Voltage [V]	48V Resume [V]
0	36.0	37.0
1.6	36.1	37.4
2.4	36.2	37.5
3.6	36.3	37.6
4.7	36.4	37.7
6.2	36.5	37.8
8.2	36.7	38.0
11	36.8	38.1
14	36.9	38.2
18	37.1	38.3
24	37.2	38.5
33	37.3	38.6
47	37.4	38.7
82	37.7	39.0
>120	36.0	37.0

Resistor Value	Motor Speed RPM
0	3000
200	1800
242	1900
287	2000
388	2200
510	2400
659	2600
847	2800
1090	3000
1.4K	4200
1.88K	3400
2.58K	3600
3.8K	3800
6.36K	4000
15.3K	4200

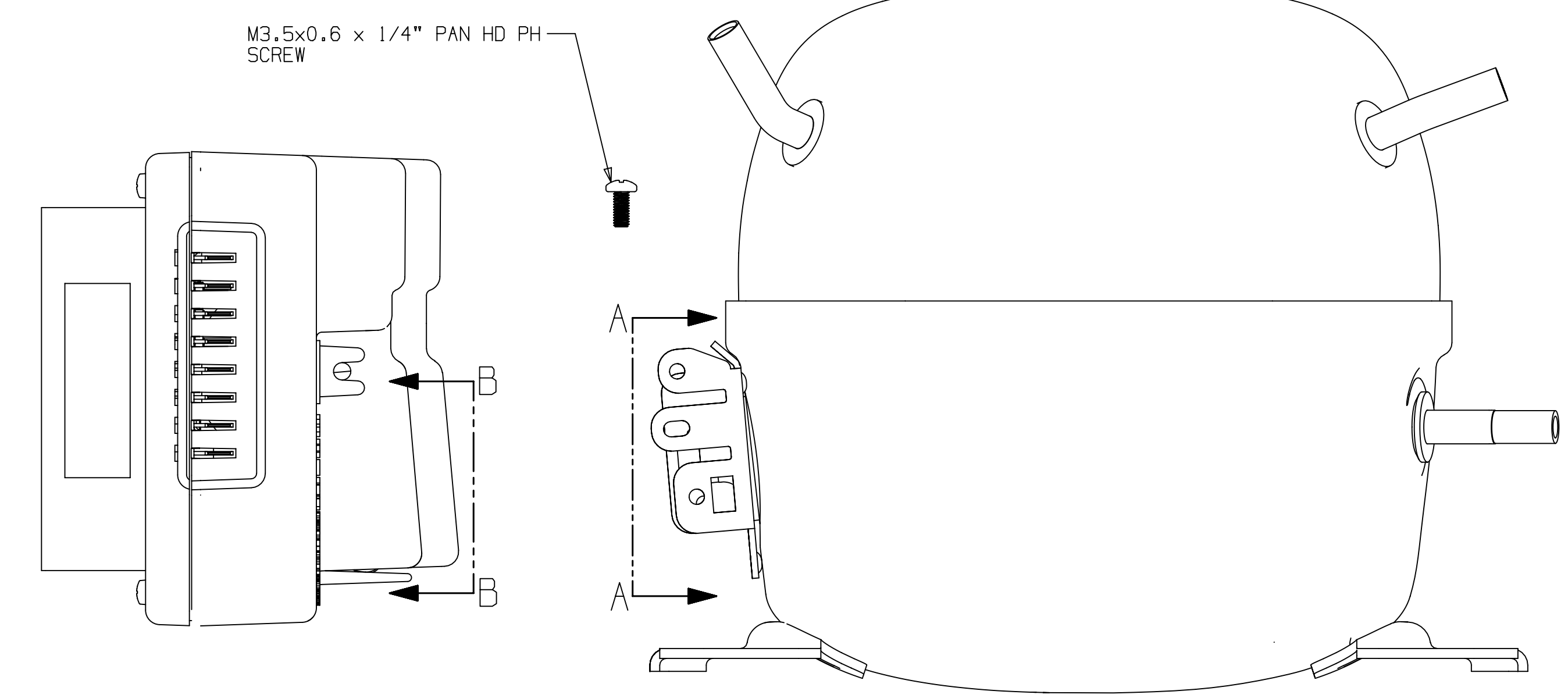
934960-806 * $\frac{\text{SpeedDesired}}{\text{SpeedDesired} - 4360}$



REMOTELY LOCATED CONTROLLER ASSEMBLY

ASSEMBLY PROCEDURE FOR REMOTELY LOCATED CONTROLLER ASSEMBLY

1. PRESS CONTROLLER CLUSTER BLOCK (SECTION C-C) ONTO THE COMPRESSOR 3 PIN TERMINAL (SECTION A-A).

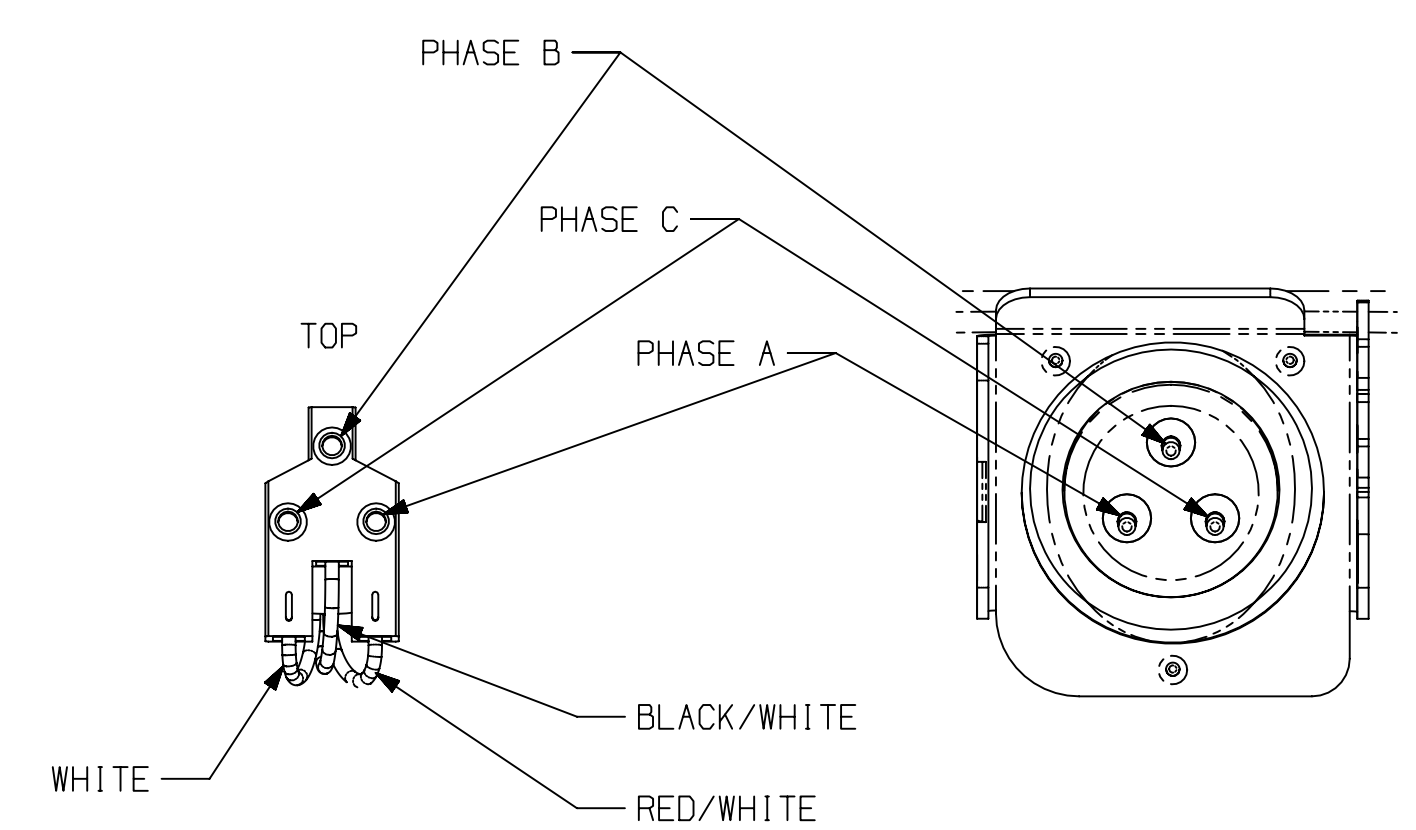


CONTROLLER ASSEMBLY

COMPRESSOR

ASSEMBLY PROCEDURE FOR CONTROLLER MOUNTED ON COMPRESSOR

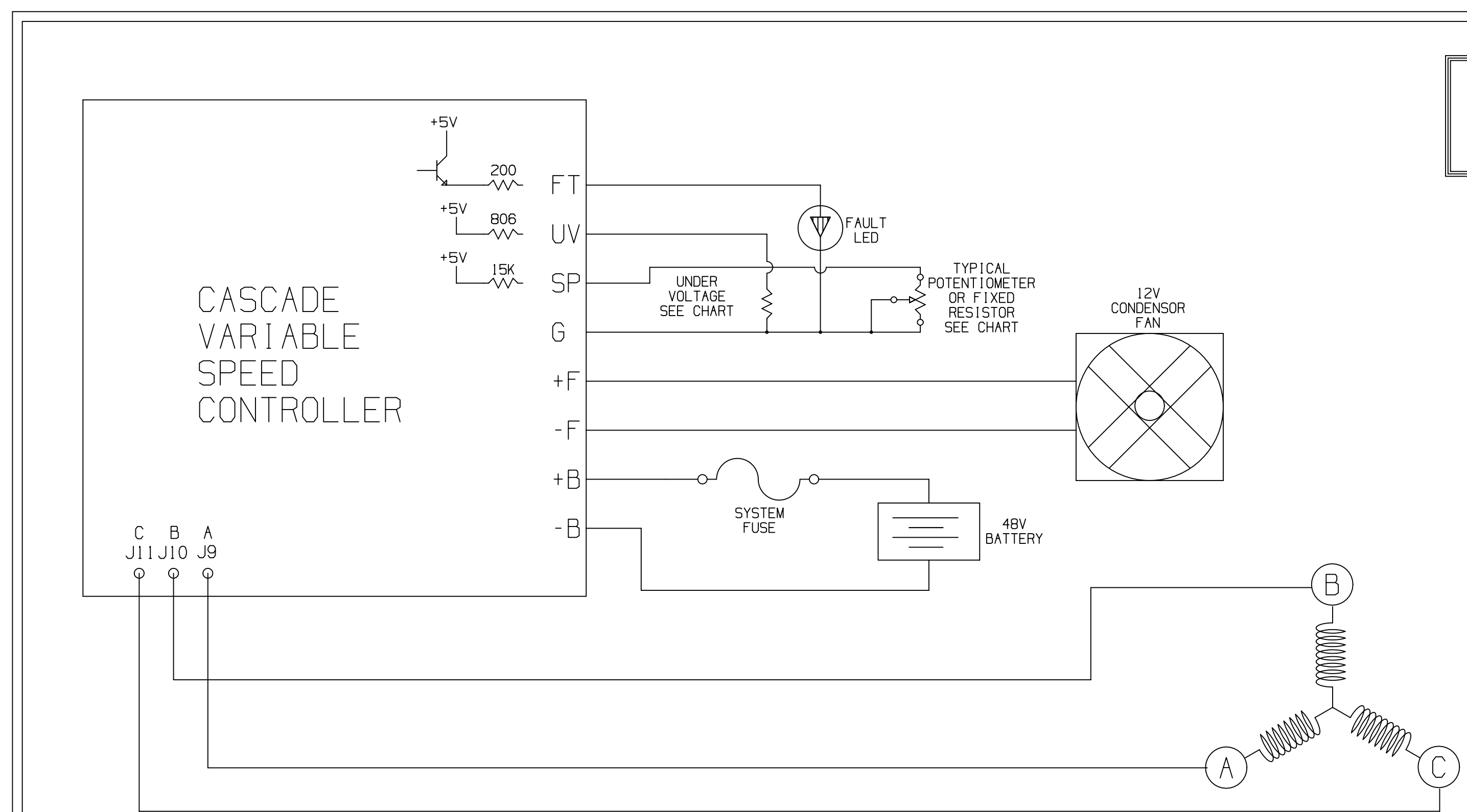
1. PRESS CONTROLLER CLUSTER BLOCK (SECTION B-B) ONTO THE COMPRESSOR 3 PIN TERMINAL (SECTION A-A).
2. ALIGN THE CONTROLLER ASSEMBLY OVER THE COMPRESSOR FENCE AND PRESS TOGETHER UNTIL IT SNAPS AND LOCKS.
3. INSERT M3.5x0.6 SCREW THRU HOLE IN HOUSING AND TORQUE TO 13 IN-LB \pm 1 IN-LB INTO FENCE.



SECTION B-B AND SECTION C-C

SECTION A-A

- NOTE:
1. ASSEMBLE PARTS AS SHOWN IF SPECIFIED ON B/M.
 2. COMPRESSOR UNIT GROUND HOLE LOCATED IN THE MOUNTING FEET OF THE COMPRESSOR.
 3. GROUND SCREW IS NOT PROVIDED BY MASTERFLUX.
 4. MUST COMPLY WITH T.P.Co. GLOBAL SPEC 08.



WARNING
WIRING DIAGRAM MUST BE FOLLOWED AS SHOWN. ANY MISWIRING CAN CAUSE SERIOUS ELECTRICAL HAZARD AND POTENTIAL DAMAGE OR RUPTURE OF COMPONENTS ELECTRICAL PARTS.

FT	FAULT OUTPUT
UV	UNDER VOLTAGE PROTECTION INPUT
SP	SPEED INPUT
G	GROUND
+F	FAN OUTPUT (+12V)
-F	FAN GROUND
+B	INPUT POWER POSITIVE
-B	INPUT POWER GROUND

ENGLISH
Q.A. SYMBOLS
★ = CATEGORY I
▲ = CATEGORY II
■ = CATEGORY III
□ = CATEGORY IV
MX

EC50359 RIS 30JUN13 ADDED VIEW AND UPDATED DECISION	REL EC3870	DATE	DESCRIPTION	SCALE	THIS PRINT SUPERSEDES ALL PRINTS PRIOR TO
DRAWING, SALES, ELECTRICAL, 48V, CASCADE			1:1 & NOTED	NOTED	DEM0028
MATERIAL			NOTED	MATERIAL	