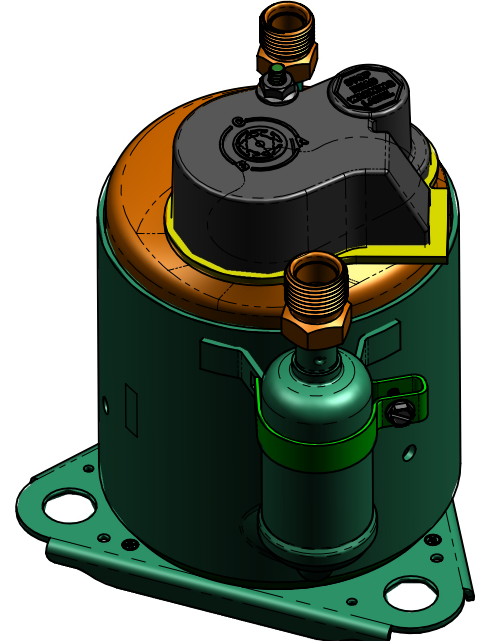
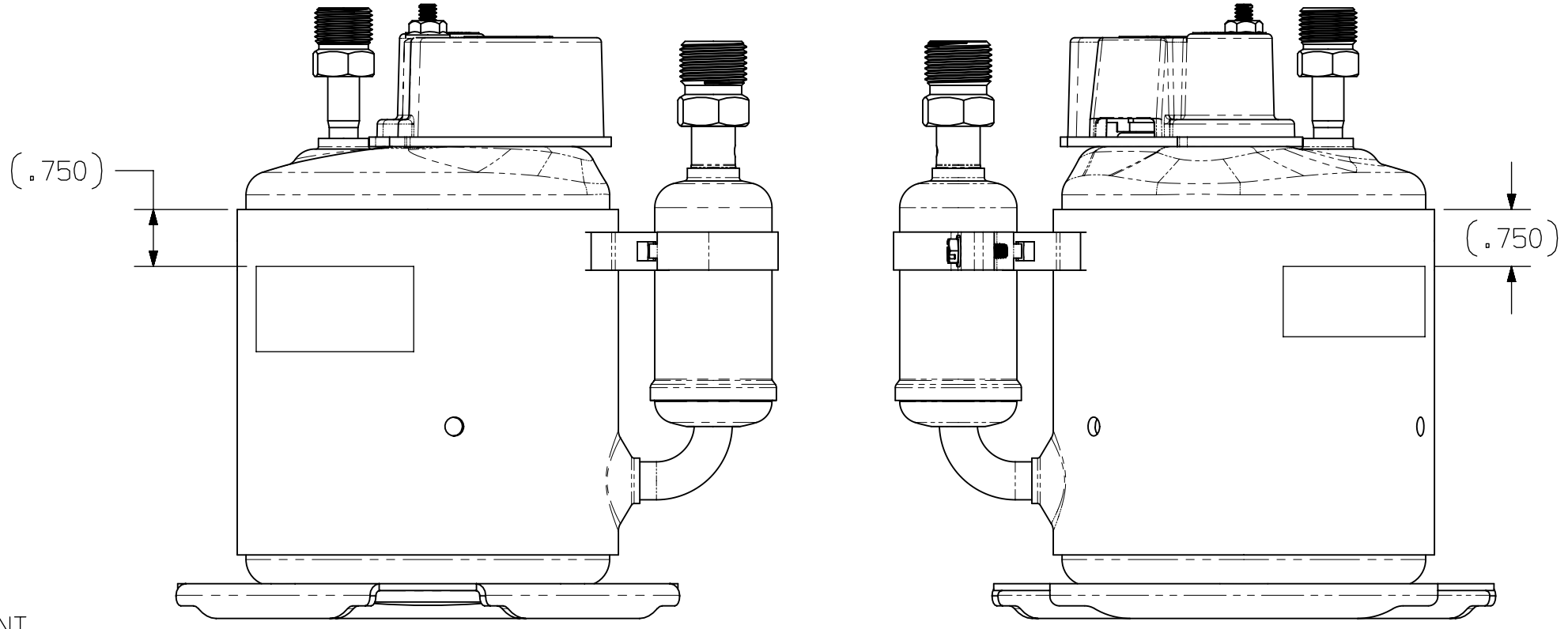
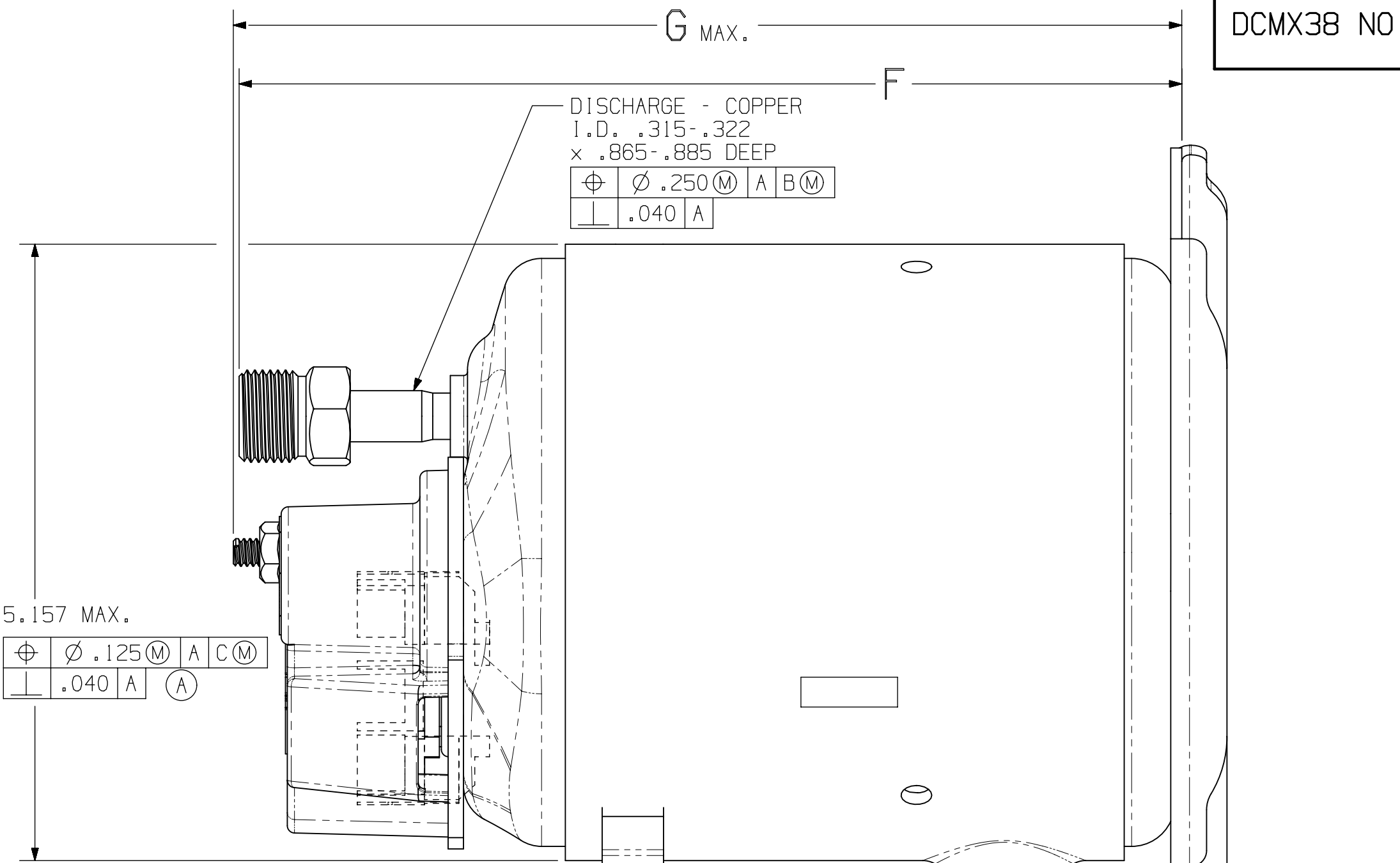
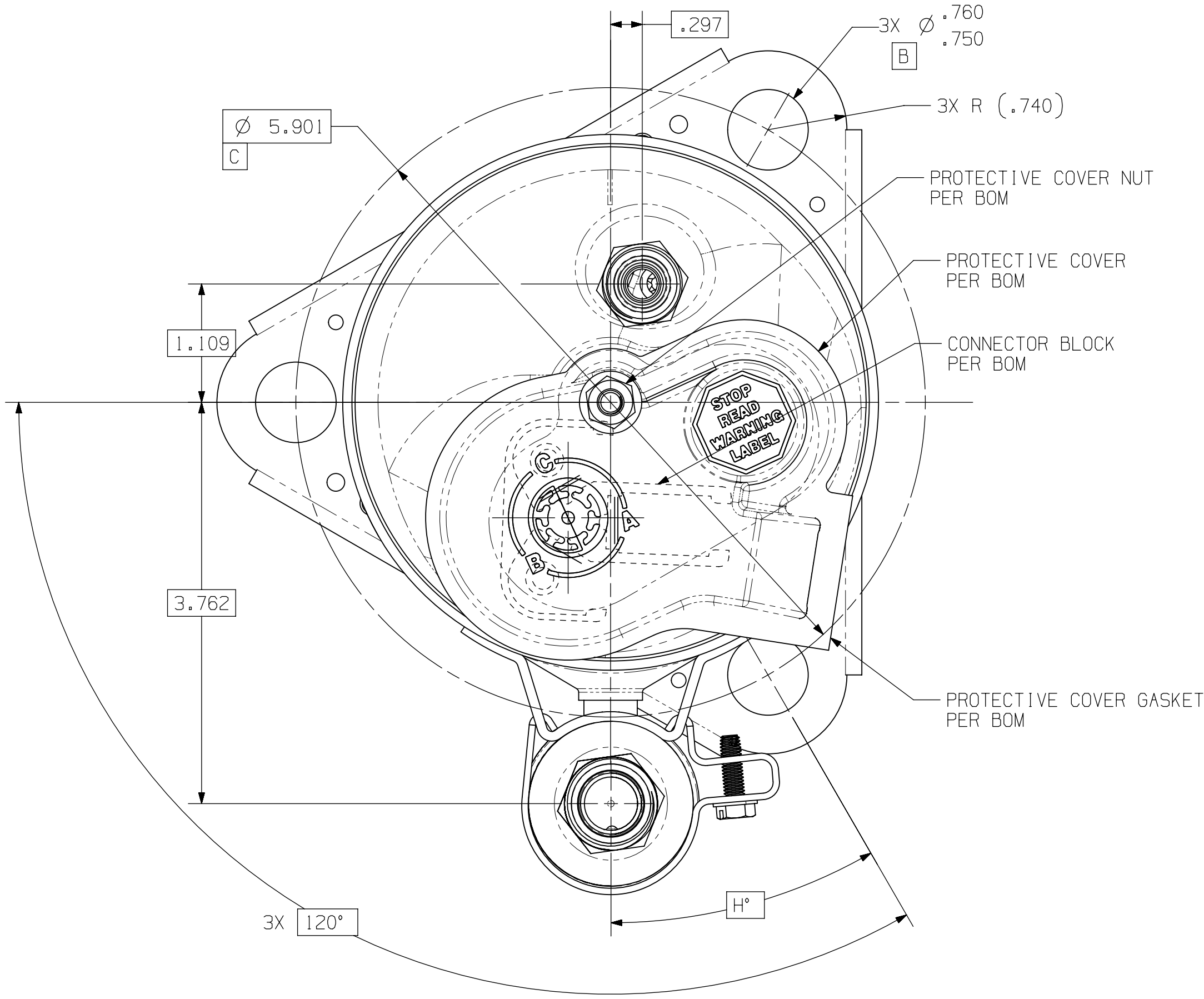


DRAWING NUMBER	COMPRESSOR MODEL	A	B	C	D	F	G	H
DCMX25-001	SIERRAXX-0716XX	6.254-6.454	.502-.509	.430 - .500	1.663 MAX.	6.961-7.149	7.750	30
DCMX25-002	SIERRAXX-0716XX	6.254-6.454	.502-.509	.430 - .500	1.663 MAX.	6.961-7.149	7.750	-27

DWG NO.  
**DCMX38 NO**



**NOTES:**

1. PROTECTIVE COVER, PROTECTIVE COVER GASKET AND PROTECTIVE COVER NUT ASSEMBLED IF CALLED FOR ON BILL OF MATERIAL.
2. TERMINAL COVER MOUNTING STUD THREADS MUST BE FREE OF PAINT.
3. TORQUE TERMINAL COVER NUT TO 15-20 IN-LBS.
- ▲ 4. MUST COMPLY WITH T.C.Co. GLOBAL SPEC 08.

**SCALE 1:2**

**SCALE 1:2**

**SCALE 3:8**

MASTERFLUX - SIERRA

ENGLISH

Q.A. SYMBOLS

- ★ = CATEGORY I
- ▲ = CATEGORY II
- = CATEGORY III
- = CATEGORY IV

REV		DATE	DESCRIPTION				DWG NO.
A	4E DISCHARGE NOTE	070CT19	SALES COMPRESSOR				DCMX38 NO
B	4D MODIFIED		NOTED				
C	4C SUCTION NOTE		NOTED				
D	REL	EC71023	NOTED				