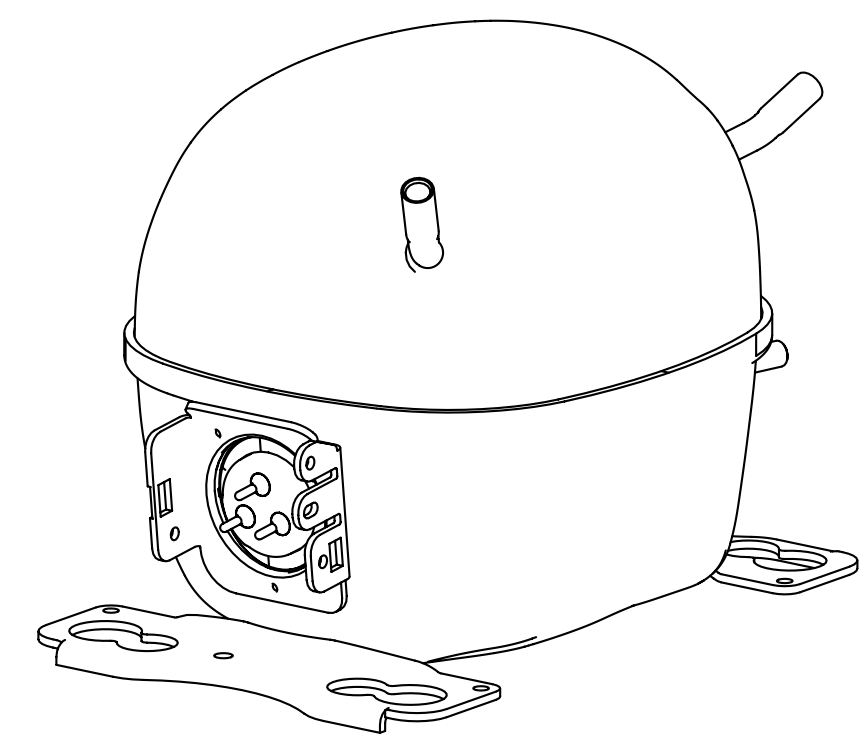
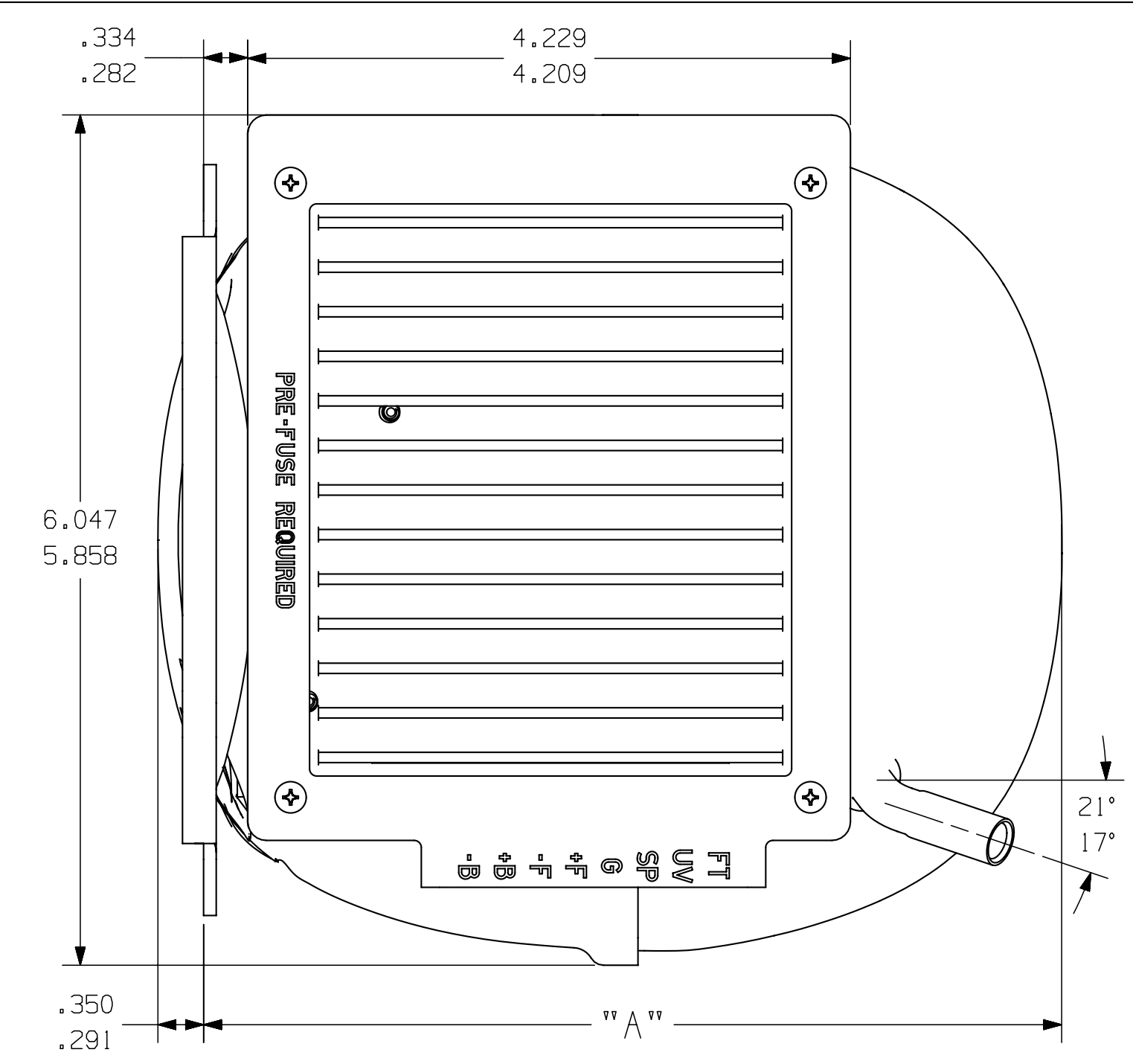
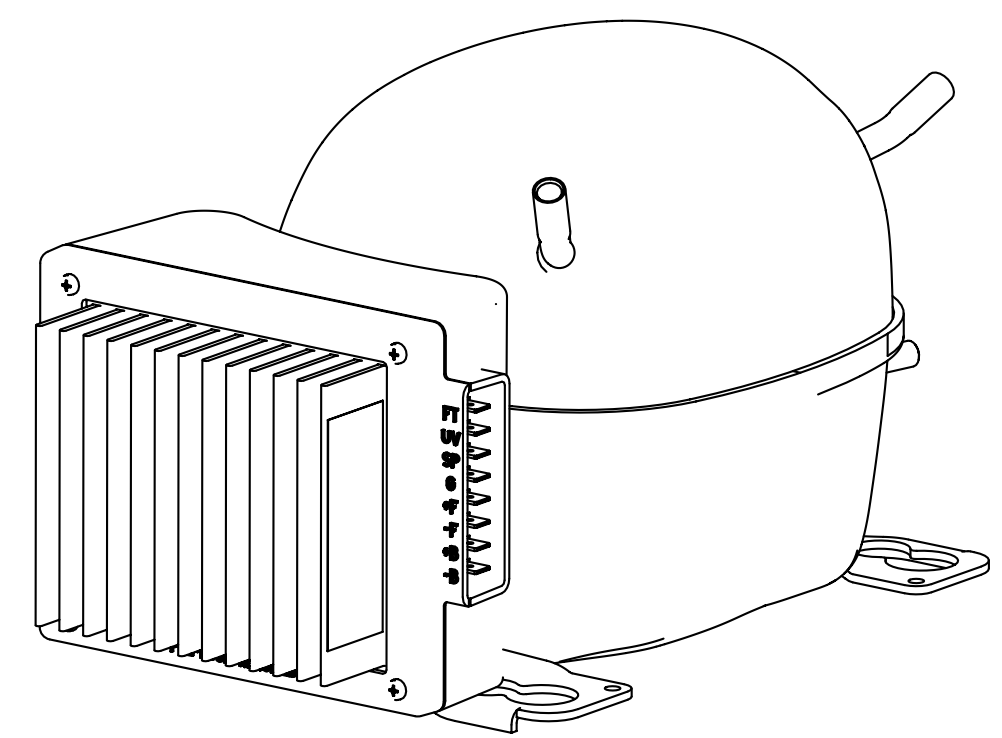


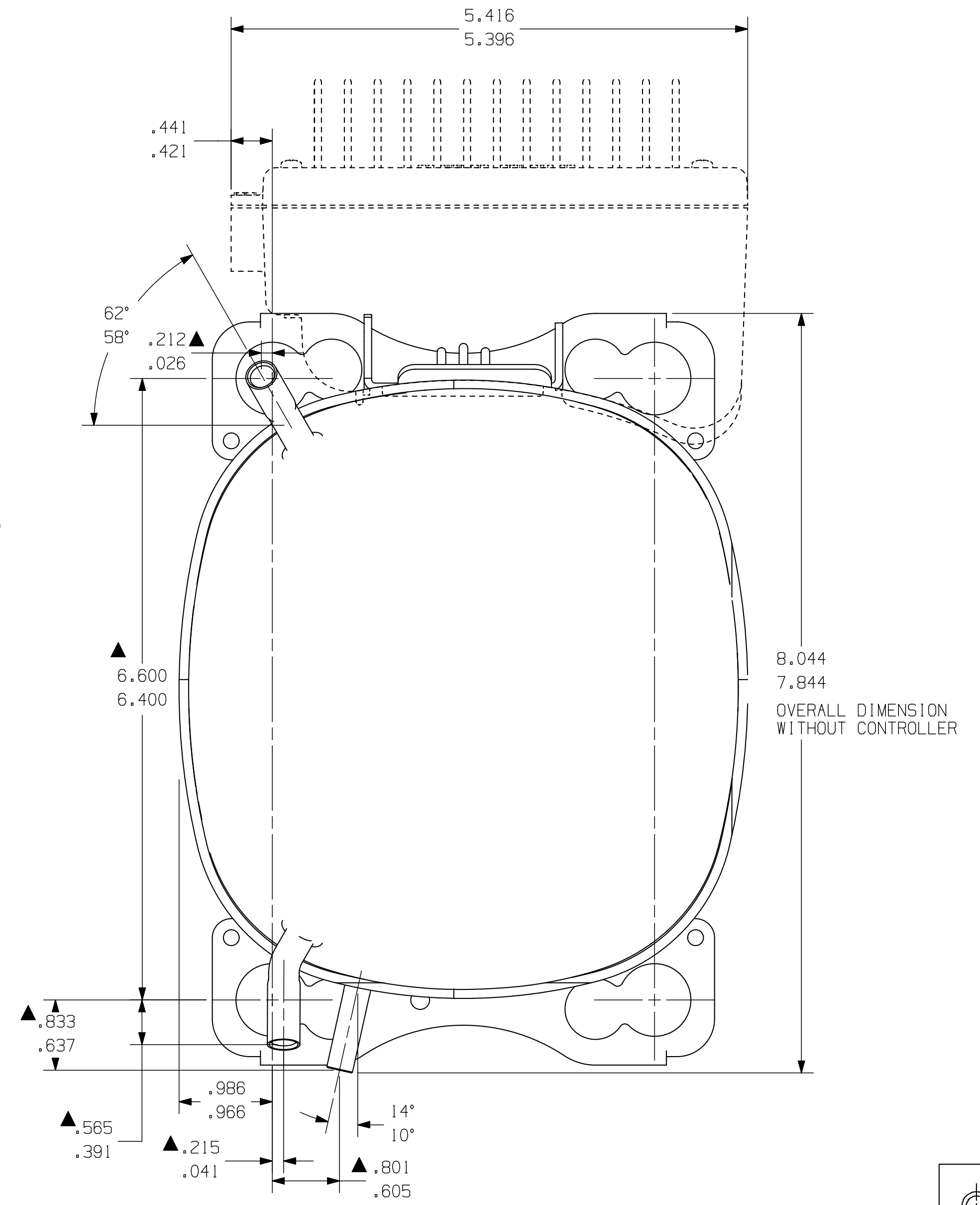
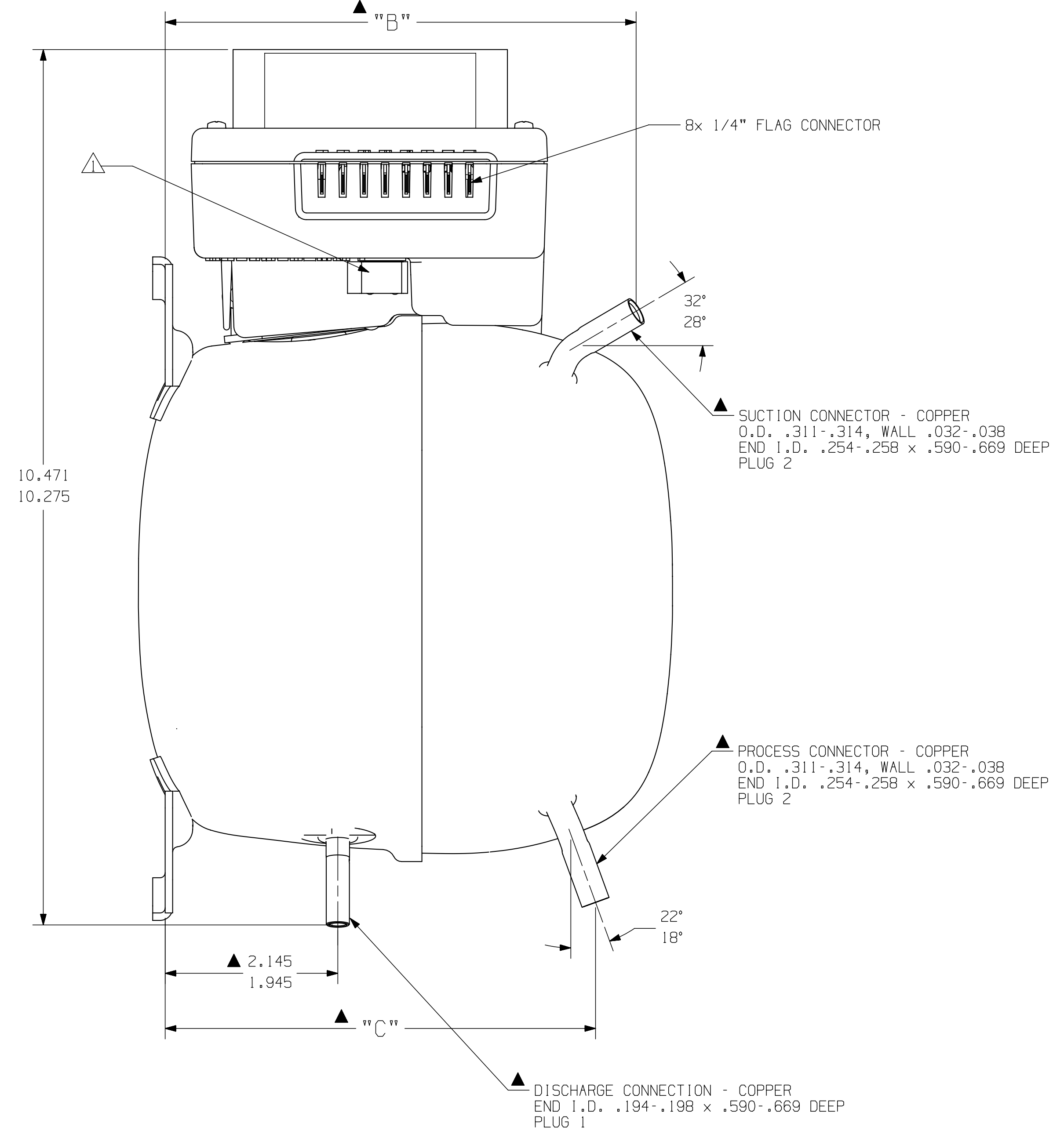
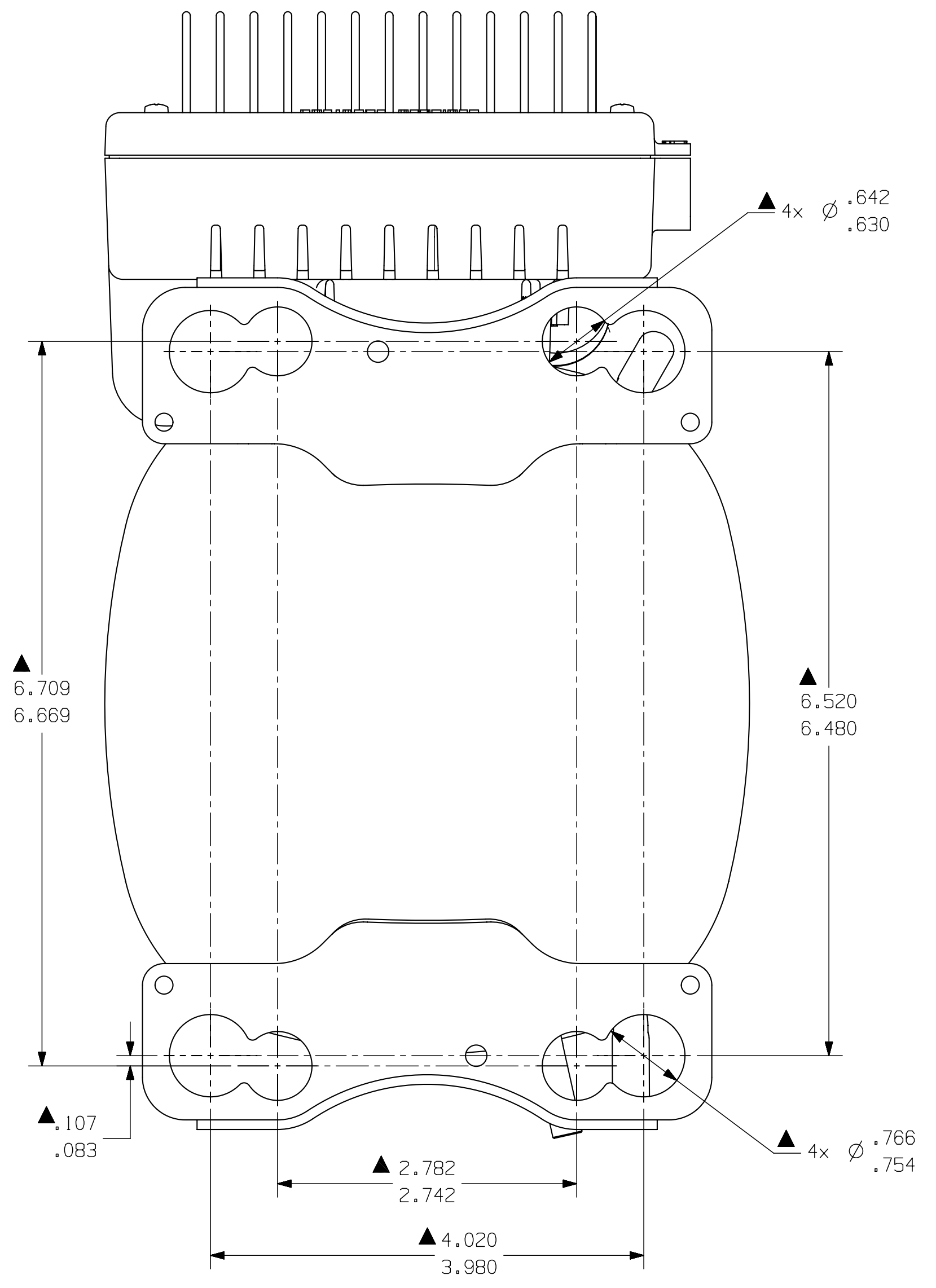
DRAWING NUMBER	MODEL	"A"	"B"	"C"
DCMX40-001	CASCADEXX-0146XX	5.993-6.063	5.480-5.677	5.000-5.197
DCMX40-002	CASCADEXX-0231XX	6.485-6.555	5.988-6.185	5.510-5.707



SCALE 1:2
VIEW WITHOUT
OPTIONAL CONTROLLER



SCALE 1:2
VIEW WITH
OPTIONAL CONTROLLER



NOTES:
 1. TORQUE TO 13 IN-LB ± 1 IN-LB.
 2. MUST COMPLY WITH T.C.Co. GLOBAL SPEC 08.

ENGLISH

Q.A. SYMBOLS

- ★ = CATEGORY I
- ▲ = CATEGORY II
- = CATEGORY III
- = CATEGORY IV

REVISIONS		DATE		DESCRIPTION		SALES COMPRESSOR	
DEL	ECT6304						
<small>THIS DRAWING OR PRINT IS THE PROPERTY OF MASTERFLUX. IT IS TO BE USED ONLY FOR THE PROJECT AND QUANTITY SPECIFIED. IT IS NOT TO BE REPRODUCED, COPIED, OR TRANSMITTED IN ANY FORM OR BY ANY MEANS, ELECTRONIC OR MECHANICAL, INCLUDING PHOTOCOPYING, RECORDING, OR BY ANY INFORMATION STORAGE AND RETRIEVAL SYSTEM. ANY UNAUTHORIZED REPRODUCTION OR USE OF THIS DRAWING OR PRINT IS STRICTLY PROHIBITED. MASTERFLUX SHALL BE RESPONSIBLE FOR ANY ERRORS OR OMISSIONS. THIS DRAWING OR PRINT IS NOT TO BE USED FOR ANY OTHER PROJECT OR QUANTITY WITHOUT THE WRITTEN PERMISSION OF MASTERFLUX.</small>				DIS. CODE DESCRIPTION DWN. RDS 30 JAN 17 CK. ON FILE ON FILE APR. ON FILE ON FILE SCALE 1:1 & NOTED THIS PRINT SUPERSEDES ALL PRINTS PRIOR TO THIS DATE.		DWG NO. DCMX40 NO MATERIAL NOTED	