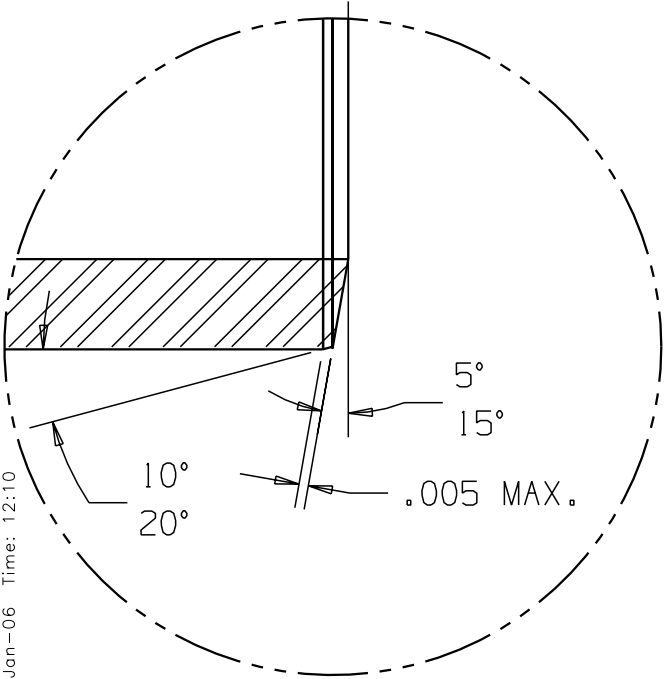
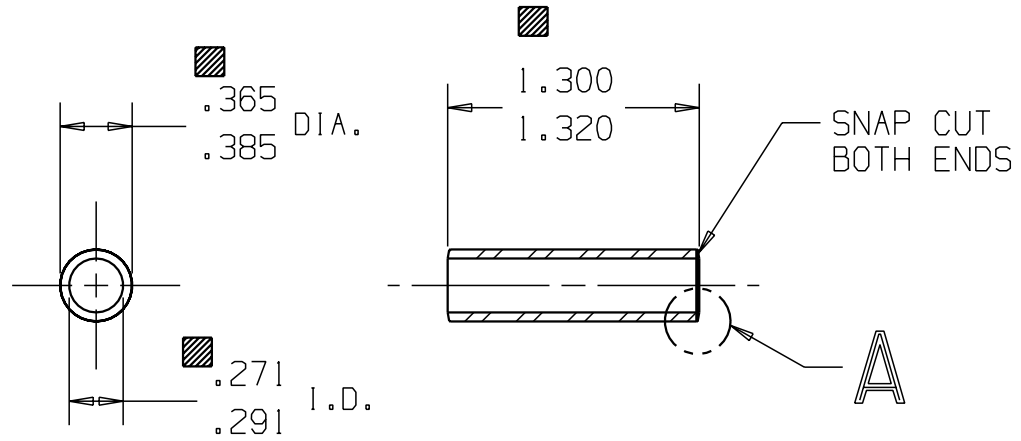


PART NO.
71000



VIEW A
SCALE 10" = 1"



NOTE!

- 1. FINISH - ZINC PLATE .00025-.0005 THICK WITH TRIVALENT CHROMIUM PASSIVATION FREE OF HEXAVALENT CHROMIUM PER T.P.CO. SPEC. #H-43.
- 2. MUST BE CLEAN AND FREE OF BURRS AND SHARP EDGES.
- 3. NO BURRS ON O.D., NO BURRS ON I.D. BUT CUT OFF LIP, I.D. MUST ACCEPT .266 DIA. GAGE PIN.

Q.A. SYMBOLS

- ★ = CATEGORY I
- ▲ = CATEGORY II
- = CATEGORY III
- = CATEGORY IV

RK
RG

a.prt Date: 31-Jan-06 Time: 12:10

F	TS	MCB	WRIGHT	T.M.G	T.M.G	R.D.L.	R.COWEN		DATE
244405-000	189AN06	17NOV00	01JUN00	1/8/96	2/13/99	4/19/89	11-5-88		
CHANGED NOTE									
CK.	APR.								
E		240073-000							
CHANGED MAT'L									
CK.	PAT	APR.	PAT						
D		239601-000							
CHANGED MAT'L									
C		233682							
REMOVE SPLIT TUBE DESIGN									
B		231565							
ADDED SPLIT TUBE DESIGN									
A		219874							
ADDED Q.A. SYMBOLS									
REL		218526							
WAS EX700-869									
REL		218526							
LT	LC	CHANGE	DATE						

THIS DRAWING OR PRINT (I.I.) IS THE PROPERTY OF TECUMSEH PRODUCTS COMPANY AND CONTAINS PROPRIETARY AND CONFIDENTIAL INFORMATION BELONGING TO TECUMSEH. (I.I.) IS MADE AVAILABLE TO THE RECIPIENT ON THE EXPRESS AND SPECIFIC CONDITION THAT NEITHER IT NOR THE INFORMATION CONTAINED THEREON OR DISCLOSED THEREIN SHALL BE DISCLOSED OR MADE AVAILABLE TO OTHERS WITHOUT THE EXPRESS AND SPECIFIC WRITTEN CONSENT OF TECUMSEH AND THAT SUCH INFORMATION ONLY AS EXPRESSLY AND SPECIFICALLY APPROVED IN WRITING BY TECUMSEH AND NOT OTHERWISE. (I.I.) SHALL NOT BE COPIED OR DUPLICATED IN ANY MANNER OR TO ANY EXTENT WITHOUT TECUMSEH'S PRIOR EXPRESS AND SPECIFIC WRITTEN CONSENT. (I.I.) SHALL BE RETURNED TO TECUMSEH AT THE RECIPIENT'S REQUEST PROMPTLY AFTER SUCH REQUEST IS MADE.

DO NOT SCALE THIS DRAWING ALL FERROUS MATERIALS MUST NOT BE MAGNETIZED AS RECEIVED OR AT COMPRESSOR ASSEMBLY.

DIS.CODE	NAME				THIS PRINT SUPERSEDES ALL PRINTS PRIOR TO
	MOUNTING SLEEVE				
DWN.	CK.	APR.	SCALE	PART NO. 71000	
R.COWEN 9-2-88	McCAUGHEY 1-8-96	BLANDEN	1" = 1"		
TECUMSEH PRODUCTS CO. TECUMSEH, MICHIGAN					
MATERIAL					
LOW CARBON STEEL PER SAE J526					
INTERNAL USE ONLY					
0:\vrk\vrk-71000-e-a.prt					