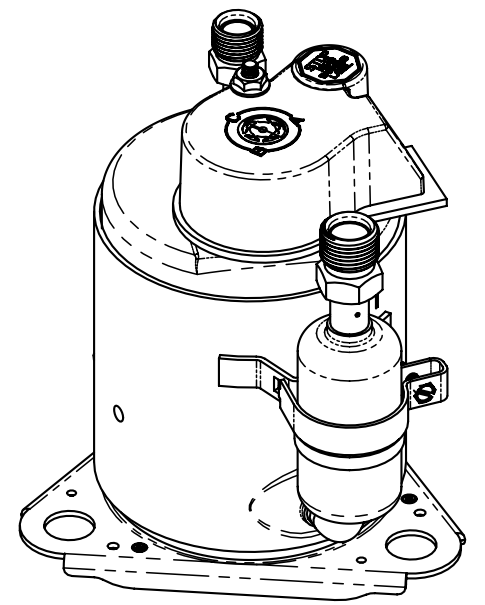
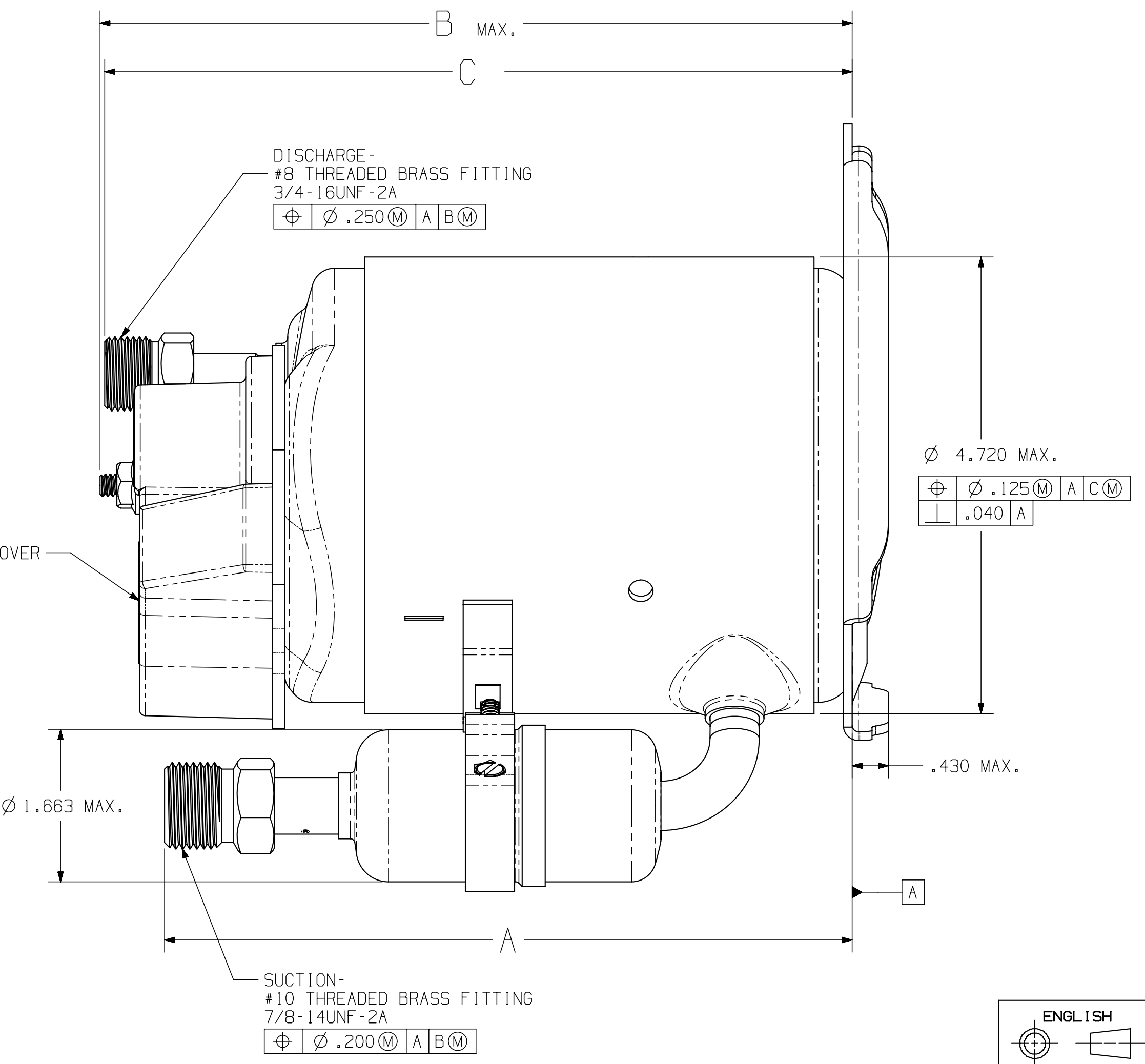
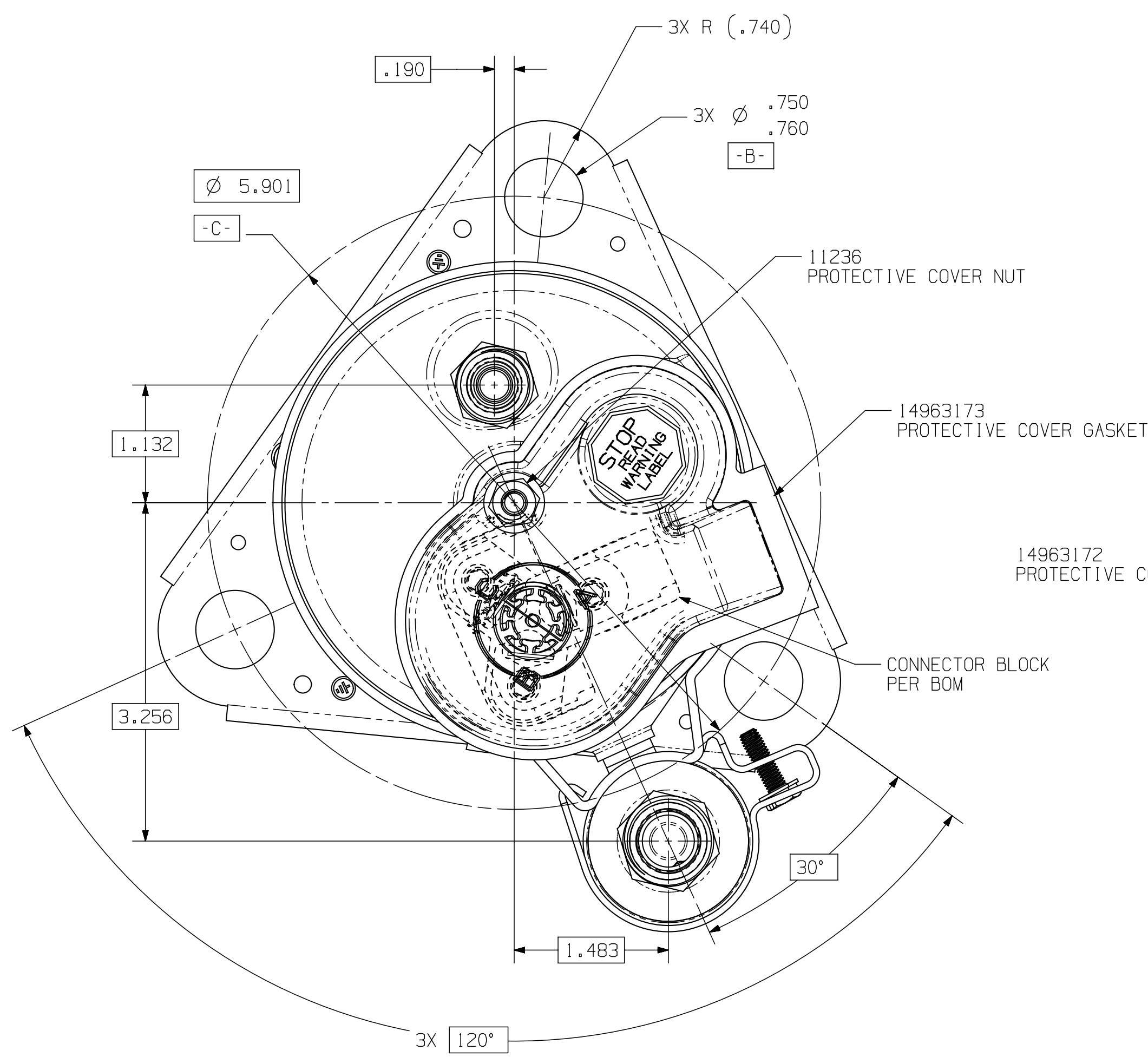


DRAWING NUMBER	COMPRESSOR MODEL	A	B	C
DCMX27-001	SIERRAXX-0434XX	6.787-7.187	6.749	6.324-6.724
DCMX27-002	SIERRAXX-0982XX	6.787-7.187	7.730	7.395-7.795

DRAWING NO.
DCMX27 NO



- NOTES:
1. PROTECTIVE COVER GASKET, PROTECTIVE COVER, AND PROTECTIVE COVER NUT ASSEMBLED IF CALLED FOR ON BILL OF MATERIAL.
 - ▲ 2. MUST COMPLY WITH T.C.Co. GLOBAL SPEC 08.
 3. TERMINAL COVER MOUNTING STUD THREADS MUST BE FREE OF PAINT.
 4. TORQUE TERMINAL COVER NUT TO 15-20 IN-LBS.

ENGLISH

Q.A. SYMBOLS

- ★ = CATEGORY I
- ▲ = CATEGORY II
- = CATEGORY III
- = CATEGORY IV

REVISIONS				CHANGE				MATERIAL				DRAWING			
REV	DATE	BY	APP	REV	DATE	BY	APP	REV	DATE	BY	APP	REV	DATE	BY	APP
B	30JAN17	RDS	ADDED	EC76425	30JAN17	RDS	ADDED	EC76425	30JAN17	RDS	ADDED	EC76425	30JAN17	RDS	ADDED
A	02NOV15	RDS	ADDED	EC65329	02NOV15	RDS	ADDED	EC65329	02NOV15	RDS	ADDED	EC65329	02NOV15	RDS	ADDED
REL				EC56750				EC56750				EC56750			

DIS. CODE		NAME		SCALE		THIS PRINT SUPERSEDES ALL PRINTS PRIOR TO	
RDS 10FEB14		SALES COMPRESSOR		1:1 & NOTED		DRAWING NO.	
ON FILE		ON FILE		ON FILE		DCMX27 NO	
MATERIAL		NOTED		MASTERFLUX			

MASTERFLUX - SIERRA

DO NOT SCALE THIS DRAWING. ALL DIMENSIONS SHOWN ARE IN INCHES UNLESS OTHERWISE SPECIFIED. THIS DRAWING IS THE PROPERTY OF MASTERFLUX AND CONTAINS INFORMATION BELONGING TO MASTERFLUX. NO PART OF THIS DRAWING IS TO BE REPRODUCED OR TRANSMITTED IN ANY FORM OR BY ANY MEANS, ELECTRONIC OR MECHANICAL, INCLUDING PHOTOCOPYING, RECORDING, OR BY ANY INFORMATION STORAGE AND RETRIEVAL SYSTEM, WITHOUT THE EXPRESS AND WRITTEN CONSENT OF MASTERFLUX. ANY UNAUTHORIZED REPRODUCTION OR TRANSMISSION OF THIS DRAWING IS STRICTLY PROHIBITED. MASTERFLUX SHALL BE HELD HARMLESS FROM ANY LIABILITY ARISING FROM THE USE OF THIS DRAWING. SUCH REQUEST IS MADE.

DO NOT SCALE THIS DRAWING. ALL DIMENSIONS SHOWN ARE IN INCHES UNLESS OTHERWISE SPECIFIED. THIS DRAWING IS THE PROPERTY OF MASTERFLUX AND CONTAINS INFORMATION BELONGING TO MASTERFLUX. NO PART OF THIS DRAWING IS TO BE REPRODUCED OR TRANSMITTED IN ANY FORM OR BY ANY MEANS, ELECTRONIC OR MECHANICAL, INCLUDING PHOTOCOPYING, RECORDING, OR BY ANY INFORMATION STORAGE AND RETRIEVAL SYSTEM, WITHOUT THE EXPRESS AND WRITTEN CONSENT OF MASTERFLUX. ANY UNAUTHORIZED REPRODUCTION OR TRANSMISSION OF THIS DRAWING IS STRICTLY PROHIBITED. MASTERFLUX SHALL BE HELD HARMLESS FROM ANY LIABILITY ARISING FROM THE USE OF THIS DRAWING. SUCH REQUEST IS MADE.

BANNER